



Product Data Sheet

Product : Single-Axis Rotating Spray Ball
Type : UBA

... Tank Cleaning Technology since 1925

The Butterworth UBA Rotating Spray Ball is designed to distribute cleaning media in tanks ranging in size up to 22 feet (6.7 meters). The UBA is a single axis rotary spray ball that projects a predetermined spray pattern within a given tank geometry. The rotation of the spray ball is controlled mechanically to avoid over rotation, which would result in reduction of spray radius and impact values of the media.

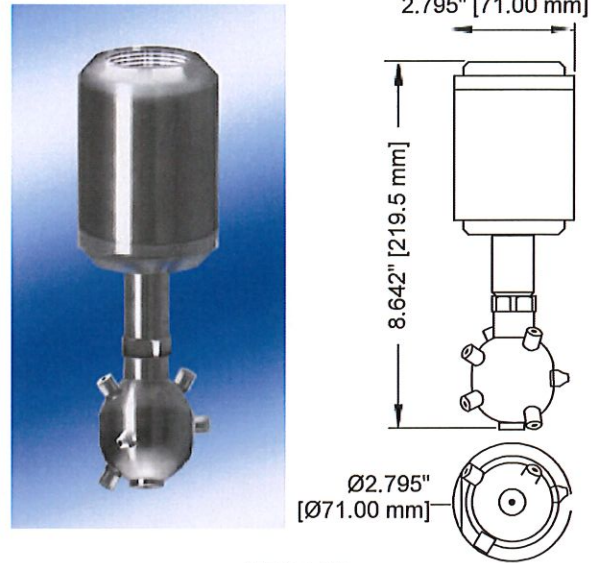
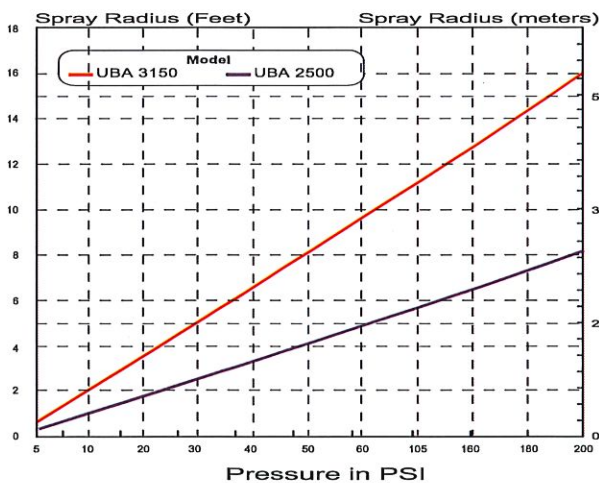
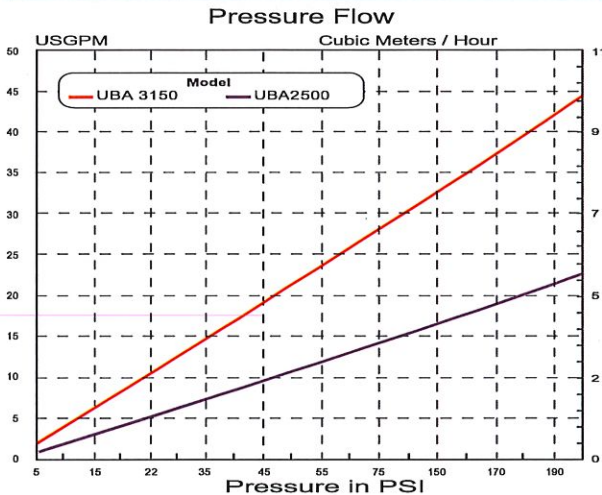
Type UBA - Part Number Designations

| Model No. | Inlet Connection | Spray Pattern |
|---------------|------------------|---------------|
| UBA 2500B31SN | .750" NPT(F) | 360° |
| UBA 2500B31DN | .750" NPT(F) | 270° Down |
| UBA 3150B31EN | 1.50" NPT(F) | 360° |

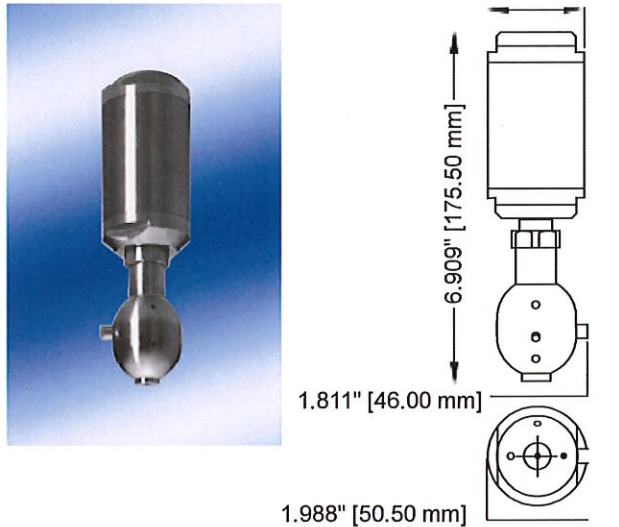
Applications Benefits

- Increased cleaning radius over non-controllable rotating spray balls
- Lower cost compared to 3D machines
- Minimal maintenance requirements

Performance Curves



UBA 3150



UBA 2500

General Specifications

Materials of Construction:

- 316L Stainless Steel
- Other materials on request.

Temperature:

- 300°F (149°C) Static and Operational

Maximum Pressure:

- 300 PSIG (20.7 Bar)

Weight:

- UBA2500 : 2.1 lbs (0.95 kg)
- UBA3150 : 5.3 lbs (2.5 kg)

Butterworth, Inc.

16737 West Hardy Road, Houston TX 77060

Phone: 281.821.7300 • Fax: 281.821.5550 • www.butterworth.com

Butterworth