



#### Vine Trimmers:

Sickle style trimmers

- Lengths: 3 1/2 ft. 4 ft. and 6 ft.
- Spring loaded breakaways
- Adjustable in and out, up and down, and angle of trimmer bar
- Hydraulic lift and or width option

High speed double blade trimmers

- Lengths: 3 ft. 4 ft. and 5 ft.
- Spring loaded breakaways
- Adjustable in and out, up and down, and angle of trimmer bar
- Hydraulic lift and or width option



#### Berm Sweeps

- Paddle style
- Adjustable from 8 ft. to 12 ft. rows
- Front or 3 pt. rear mount available



#### Rotary Mower / Shredders

- Dual rotors with lower cutting blades and upper shredding blades
- Size widths available: 54", 60", 66", 72", 84", 90", 96", 108".
- 1/4" thick compression decks
- Static anvils for shredding limbs and canes while cutting grasses
- Driveline safety slip clutch
- Full 360 degree rotating gauge wheel sets



#### Vineyard in-row Ripper

- Two fully adjustable ripper shanks with removable points
- 18" maximum depth
- Twin "Sheep's foot" style lump breakers



#### Gondolas

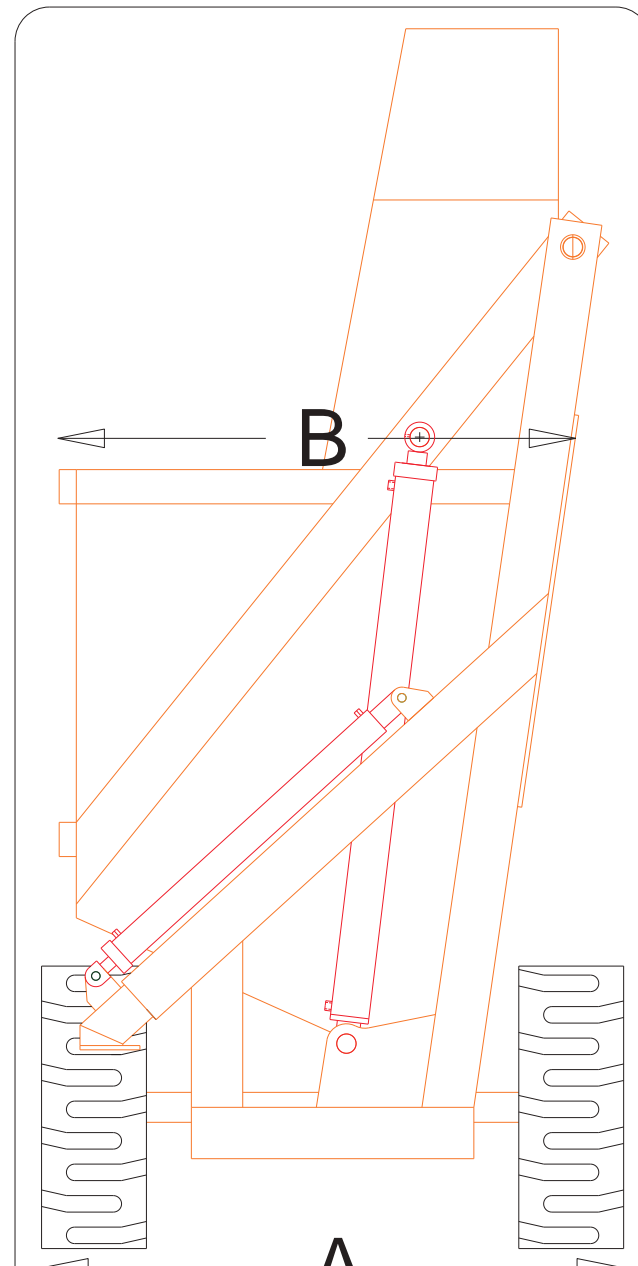
- 6 ton capacity
- Twin axles with heavy duty skid steer loader tires
- Stabilizer arms for safe dumping into trucks
- Only requires one set of remotes to operate
- Low center of gravity
- 2 1/4" chrome main lifting cylinder rods, heaviest in the industry
- Widths from 75' down to 59 Vi"
- Optional digital weight cell system



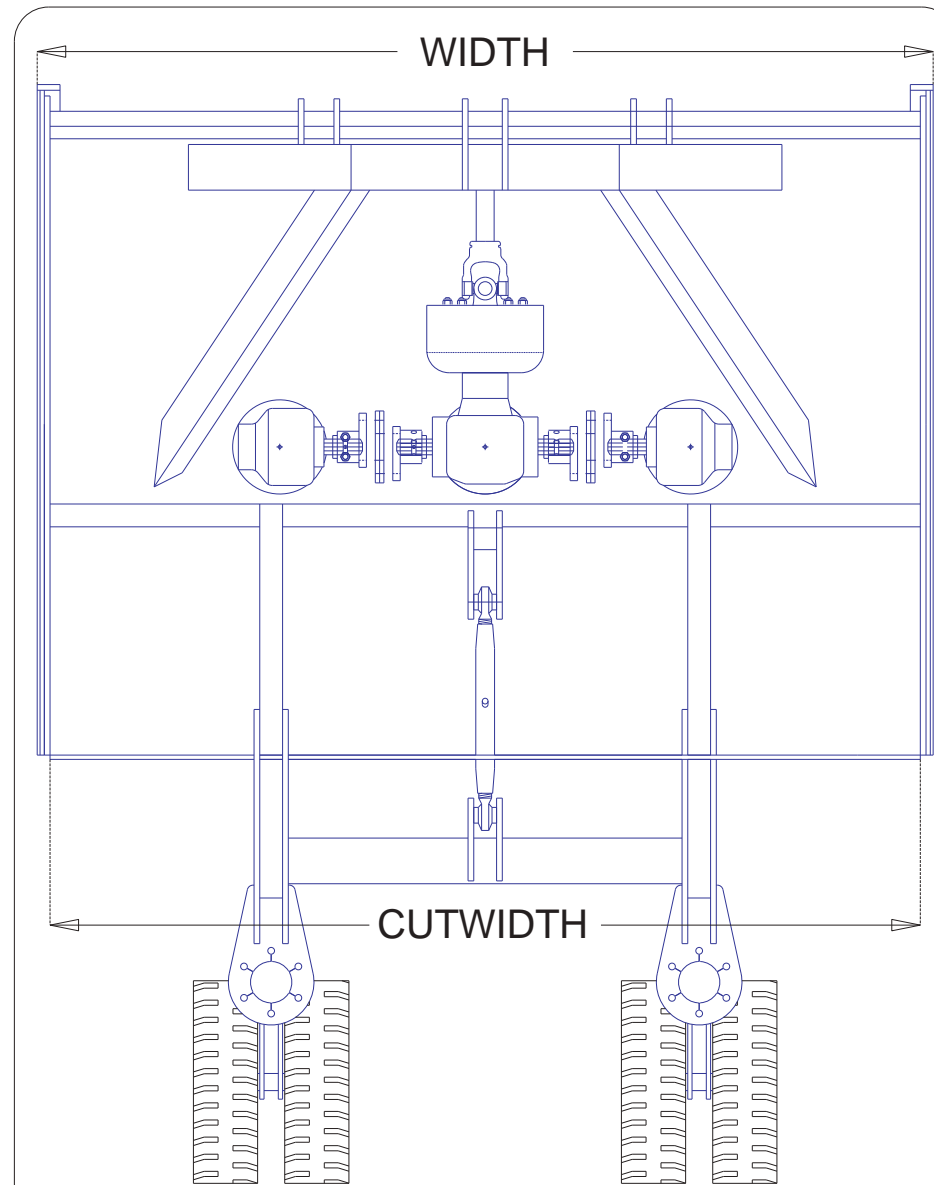
#### Ring Rollers

- Custom widths from 54" to 96"
- Heavy cast rings
- 10" roll pipe can be filled with water for extra weight
- Hydraulic wheel lift option

# Vineyard Equipment



|           |     |     |     |           |
|-----------|-----|-----|-----|-----------|
| CAPACITY: | 187 | 197 | 200 | CUBICFEET |
| "A"       | 60" | 68" | 75" | TIREWIDTH |
| "B"       | 58" | 60" | 75" | TANKWIDTH |



| 2GEARBOXUNITS: |          | 3GEARBOXUNITS: |          |
|----------------|----------|----------------|----------|
| WIDTH          | CUTWIDTH | WIDTH          | CUTWIDTH |
| 54"            | 52"      | 78"            | 76"      |
| 60"            | 58"      | 84"            | 82"      |
| 66"            | 64"      | 90"            | 98"      |
| 72"            | 70"      | 96"            | 94"      |
|                |          | 108"           | 106"     |




930 S. Sacramento St.  
 Lodi, CA 95240  
 (209) 334-5976  
 (209) 334-6683 Fax  
 (800) 376-6638  
[www.AcampoMachineWorks.com](http://www.AcampoMachineWorks.com)