

Prices for 5 Most Popular Tanks

Top 1



A MUST FOR EVERY WINERY

It is fantastic for you, if you do not have enough small tanks.

Olavin Mini Tanker
Code: L
Page 2

Top 2



TOP CHOICE FOR PREMIUM WINERIES

Catering to large winery storage demanding

Enclosed Fermenter
Code: A
Page 4

Top 3



CLASSIC FOREVER

Storage & Aging

Round Tank
Code: E
Page 6

Top 4



SAY GOODBYE TO VARIABLE CATASTROPHE

5 year guarantee

Variable Capacity Tank
Code: B
Page 8

Top 5



#1 CHOICE FOR BEST COLOR

Excellence starts here

Tapered Fermenter
Code: F
Page 10

Functions

- White Fermentation
- Red Storage
- White Storage
- Transporting
- Stacking when full
- Forkable
- Red Fermentation *OPTIONAL*



20%+ Space Saving

Olavin Mini Tanker (Code: L)

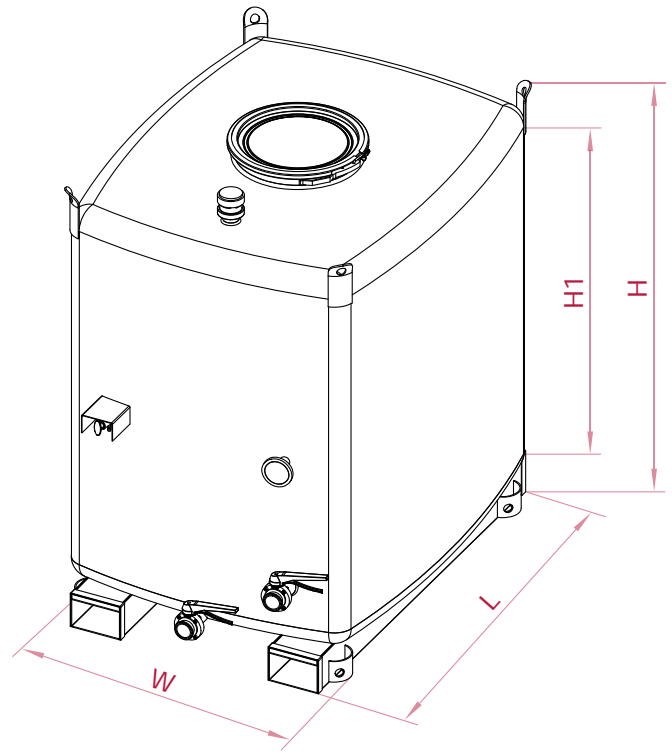
Olavin Mini Tanker (Code L) Technical Specifications

- Product Code: L
- Inner Surface: 2B
- Outer Surface: Oil brushed
- Inner Weld Seam Treatment: Olavin Surpro Finish ($Ra \leq 24\mu\text{in}$)
- Outer Weld Seam Treatment: Retain weld bead height, pickled and passivated

- Jacket: Olavin Dypple Jacket
- Jacket Working Pressure: 43.5PSI

- Material:
 - Standard All SS304
 - Olavin Plus All wet parts: SS316

- Dimensions:
 - V - Rated Volume
 - W - Width
 - L - Length
 - H1 - Shell Height
 - H - Total Height



Olavin Mini Tanker (Code L) Capacities and Dimensions

Volume Gallon	W inch	L inch	H1 inch	H inch
264	44	58	24	36
396	44	58	39	51
476	44	58	48	60
528	44	58	53	64
581	44	58	59	71

W - Max. Width
 L - Max. Length
 H1 - Shell Height
 H - Total Height

* Customization is available.

Olavin Mini Tanker (Code L) Standard Prices

Volume Gallon	10% OFF Early Bird Price	Normal Price	SPECIAL REMINDER 1. As long as you contact us before Jan 31, 2021, early bird price applies. 2. Early bird price is valid for 1 year providing you contact us before Jan 31, 2021.
264	\$2,746	\$3,051	
396	\$3,421	\$3,801	
476	\$3,600	\$3,999	
528	\$3,757	\$4,175	
581	\$3,913	\$4,348	



Representing Olavin in the US



Andrew
 andrew@revolutionequipmentsales.com

CONTACT ANDREW NOW



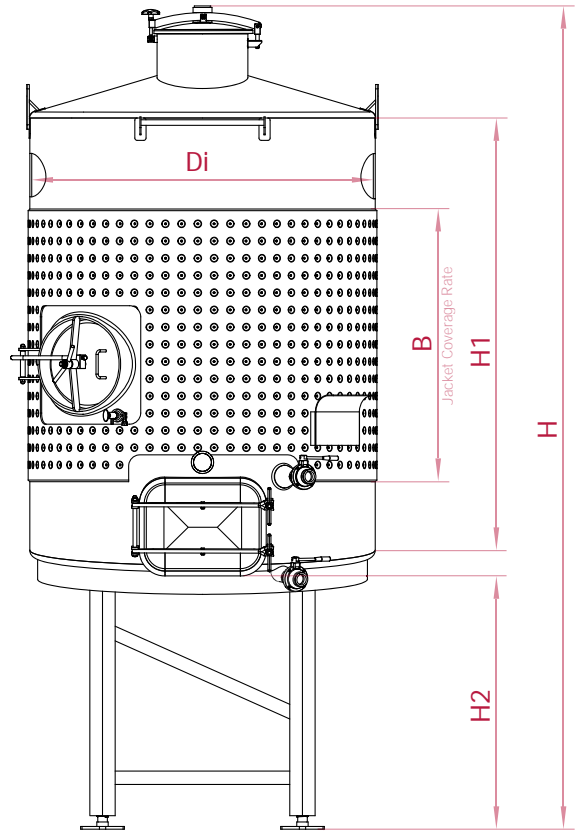
Top choice for premium wineries



Enclosed Fermenter (Code: A)

Enclosed Fermenter (Code A) Technical Specifications

- **Product Code:** A
- **Inner Surface:** 2B
- **Outer Surface:** Oil brushed
- **Inner Weld Seam Treatment:** Olavin Surpro Finish ($Ra \leq 24\mu\text{in}$)
- **Outer Weld Seam Treatment:** Retain weld bead height, pickled and passivated
- **Jacket:** Olavin Dypple Jacket
- **Jacket Working Pressure:** 43.5PSI (3bar)
- **Material:**
 - Economical** All SS304
 - Standard** Conical top, slope bottom & top entry: SS316
Others: SS304
 - Olavin Plus** All wet parts: SS316



- **Dimensions:** V_Di_H1_H2_B_H
 - Rated Volume
 - Diameter
 - Shell Height
 - Bottom Net Height
 - Jacket Coverage Rate
 - Total Height

Enclosed Fermenter (Code A) Capacities and Dimensions

Volume Gallon	D_i inch	B %	H_1 inch	H_2 inch	H inch
500	54	50	48	41	115
1000	61	61	79	41	146
2000	85	61	79	41	147
3000	86	74	118	41	189
4500	89	71	166	41	237

* Customization is available.

Save 10%

With this COUPON

before Jan 31, 2021



Andrew
707 573 3154
andrew@revolutionequipmentsales.com

CONTACT ANDREW NOW