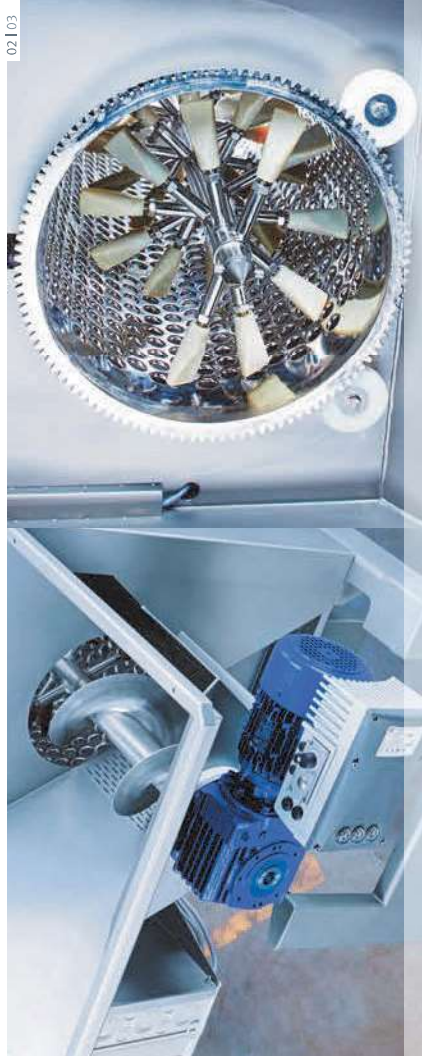




AS 5-80



Optional special hopper

# THE NEW DESTEMMER

QUALITY PREVAILS

## THE EQUIPMENT

- Eccentric de-stem bar
- Pre-juicing in feed hopper
- Frequency controlled feed auger
- Easy cleaning through simple disassembly of the basket and de-stem bar
- Synchronized movement of basket and de-stem bar
- Continuous variable speed
- Perforated stainless steel basket 25/22 electropolished
- Stainless steel design

## OPTIONS:

- Height adjustable stainless steel frame for a ground clearance of 800 - 1300 mm
- Adjustable crushing roller (movable, and easily bypassed)
- Cleaning nozzles
- Additional stainless steel or polyethylene basket with different perforation patterns
- Larger feed hopper

## TECHNICAL DATA

Type	AS 5	AS 10	AS 15	AS 25	AS 40	AS 60	AS 80
Capacity t/h*	3-6	6-12	11-18	15-30	25-45	50-60	60-80
Engine power kw	Basket / de-stem bar 2.2	2.2	2.2	4	5.5	7.5	7.5
Dimensions mm	Feed Auger	0.55	0.55	1.1	1.5	1.5	3
	Crushing roller**	1.5	1.5	2.2	2.2	2.2	3
	Length	2159	2516	2730	2751	3515	3880
Width	900	900	900	950	1000	1200	1560
Height***	1580	1905	1905	2000	2270	2270	2700

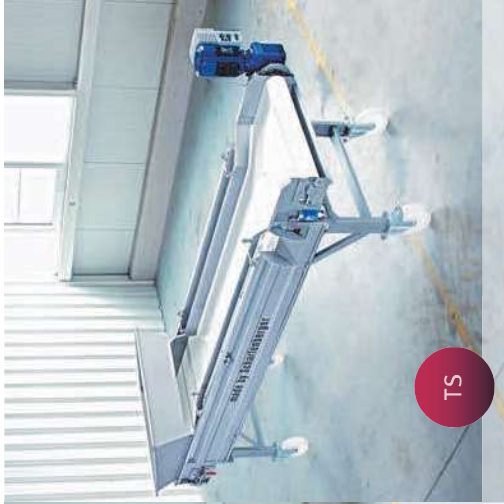
\* depending on the variety and quality of the grapes

\*\* Option

\*\*\* with 800 mm ground clearance



VM



TS



VS



## VIBRATION DOSING TABLE

WELL CONCEIVED

### EQUIPMENT

- Stainless steel design
- Vibration discharge
- Easy to clean
- Driven by two frequency-controlled unbalanced motors
- Four casters (two with brakes)

## SELECTION TABLE

FOR THE HIGHEST DEMANDS

### EQUIPMENT

- Stainless steel design
- Food-grade conveyor belt
- Frequency-controlled drive motor
- Quick-release mechanism for conveyor belt
- Four casters (two with brakes)
- MOG trays
- Easy to clean

## VIBRATION SORTING TABLE

THE PERFECT COMBINATION

### EQUIPMENT

- Stainless steel design
- Vibration discharge
- Driven by two frequency-controlled unbalanced motors
- Pre-juicing pan
- Large feed hopper
- Self-cleaning MOG trays
- Four casters (two with brakes)
- Easy to clean

### TECHNICAL DATA

- Capacity: 5-10 t/h
- Trough capacity: approx. 1100 l
- Dimensions: (LxWxH)  
Model VM 2.0: 2084 x 1590 x 1770 mm  
Model VM 2.6: 3020 x 1590 x 1770 mm

### TECHNICAL DATA

- Capacity: 5-10 t/h
- Length: 3000 mm | 4000 mm | 5000 mm
- Conveyor belt width: 600 mm | 800 mm

### TECHNICAL DATA

- Capacity: up to 6 t/h
- Table width: 800 mm
- Dimensions: (LxWxH)  
Model VS 3-6: 3760 x 1990 x 1710 mm  
Model VS 5-0: 5060 x 1990 x 1710 mm



FB

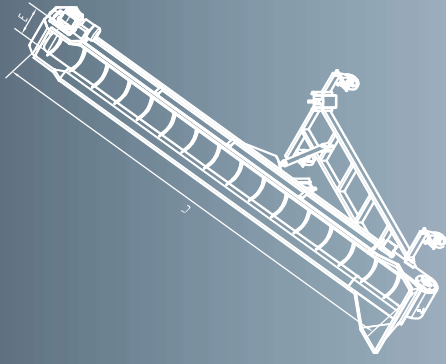
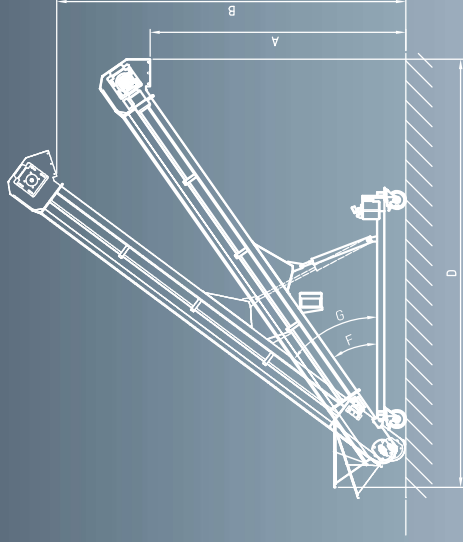
Special hopper (optional)

# THE NEW SCHARFENBERGER WHOLE CLUSTER CONVEYOR

## EQUIPMENT

- Stainless steel design
- Food-grade conveyor belt
- Hydraulic height adjustment
- Belt tensioning device
- Four casters (two with brakes)
- Sump drain fitting DN 50

- Large feed hopper with must outlet
- Easy to clean
- Grape crusher (optional)
- Swivel chute (optional)
- Cleaning system (optional)



## DIMENSIONS

Item	A (mm)	B (mm)	C (mm)	D (mm)	E (mm)	F (°)	G (°)
FB40/17	1.702	2.294	3.000	3.127	400	35	50
FB40/22	2.274	3.105	4.000	3.947	400	35	53
FB40/28	2.849	3.888	5.000	4.765	400	35	52
FB40/34	3.443	4.564	6.000	5.837	400	35	51
FB40/40	3.963	5.260	7.000	6.743	400	34	50
FB60/17	1.702	2.294	3.000	3.127	600	35	50
FB60/22	2.274	3.105	4.000	3.947	600	35	53
FB60/28	2.849	3.888	5.000	4.765	600	35	52
FB60/34	3.443	4.564	6.000	5.837	600	35	51
FB60/40	3.963	5.260	7.000	6.743	600	34	50



Swivel chute (optional)



Special hopper (optional)



TQ

# GRAPE CRUSHER

## EQUIPMENT

- Stainless steel design
- Food-grade rubber crusher rollers
- Easy assembly and disassembly
- Low weight
- Easy to clean
- Can be mounted to the EuroSelect destemmer, whole cluster conveyor or feed hopper on the Europress grape press (optional)

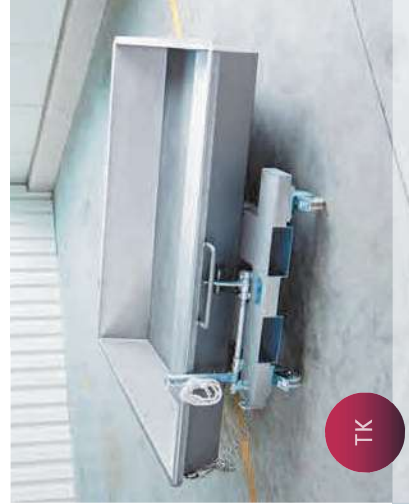
## TECHNICAL DATA

- Capacity: up to 20 t/h
- Crusher rollers 300 to 850 mm in length



MADE IN GERMANY

# POMACE TIPPING TRAY



TK

## EQUIPMENT

- Stainless steel design

## TECHNICAL DATA

- Capacity: 800 l 1300 Litres
- Overall height: 440 mm l 640 mm
- Tray dimensions: 1800 x 1600 mm

## OPTION

- Hydraulic tipping device

