



**Knight
Corporation**



**The Finest Stock & Custom Liquid Bag Filters
Since 1972**

Customer Satisfaction Is Our Top Priority

Knight Corporation, founded over 25 years ago, still holds to our founding principle that customer satisfaction must be our top priority. Over the years we have improved our manufacturing processes and expanded our technical expertise to keep pace with the changing needs and demands of our customers. Our technical service staff is the most knowledgeable in the industry. They continue to search for new media and filtering techniques which will increase your efficiency and lower your filtration costs.

Our vast experience has also taught us that prompt service is crucial in the filtration industry. We are very proud of the reputation that we have earned over the years for excellent service and the highest quality products. We answer all inquiries immediately and give our customers the support that they need in record time.

We offer the shortest lead time for delivery in the industry. Our normal shipping time is 5 days or less, with overnight delivery available.



Cost-Effective Solutions To All Your Liquid Filtering Needs

Knight filter bags offer high solids collection capacity with low pressure drop, which means longer operating cycles and lower operating costs. Our filter bags are economical. The per bag cost is low and one bag is equivalent to several cartridges, greatly reducing the space needed for inventory. Our filter bags are also easier and less costly to dispose of than other kinds of filters, and are completely combustible, allowing for total incineration.

From providing you with the finest quality stock filter bags, to helping you find solutions to your most demanding needs, there is no liquid filtration problem that we can not help you solve. In fact, we welcome the opportunity to work with you on your most demanding requirements. Give us a call or send us a sample of your present bag or media switch. One of our technical service engineers will promptly get back to you with the most cost-effective solution to your specific need. Whether one of our stock bags will fill your need or a custom bag is required, you can be assured of prompt delivery and the highest quality product at the best possible cost.

Quality Assurance

The goal of every Knight employee is to provide our customers with the highest quality, from the inspection of the raw materials to the final inspection of the finished product. No product leaves our location until it has been checked and approved to meet our customers exact specification, as well as, our high standards of quality. When you want it right the first time...every time, you want a Knight filter bag. Our years of field experience, technical expertise and thorough knowledge of the liquid filtration industry enable us to produce the finest filter bags in the marketplace.

Nationwide Distributor Network To Solve On-Site Problems

Having a problem? Help is only a phone call away. Knight Corporation has a network of distributors strategically located across the country. When you need someone on-site, one of our highly qualified distributors will visit your location to assist you with the problem. Before you know it, you will be up and running with as little down-time as possible.

Stock Liquid Filter Bags Available For All Make Filter Vessels



Quickest Delivery of Stock Filter Bags in the Industry.

We designed our stock filter bags to increase the efficiency of all make filter vessels. They are fabricated to fit all standard size filter vessels currently used in the filtration industry. The filter bag sizes that we carry in stock are P1, P2, P3, P4, P5, P6, P7, P8, P9, P12, PC1, PC2, C1, C2 and BP bags. Our stock bags handle flow rates from 1 up to 10,000 gpm and are available in most materials.

Carbon steel rings are standard, however plastic tops or stainless steel rings can be supplied upon request. Other options available on our stock bags include plastic rings, lifting handles, covers, and gluing.

We also offer stock tie-on bags, which are perfect for all gravity applications. They are available in a wide range of materials and micron ratings. Drawstrings on stock bags are available upon request.

Some of the companies currently using our stock or custom products include: Dow Corning, Sherwin Williams, Chrysler, ATO Findley, BASF, Merck, Sharpe and Dohme, Union Carbide, IBM, Dupont, Strohs and Ocean Spray.

Knight stock liquid filter bags are shipped within 1 week.

Bag volume, bag dimensions, surface area and cross reference for all filter bags used in Knight filter housings.

Bag Size Number (See Table 1)	3	4	1	2
Surface Area Per Bag - (ft ²)	0.5	1.0	2.0	4.4
Volume Per Bag - (gal)	.37	.67	2.1	4.6
Bag Diameter - inches	4"10.2	4"10.2	8"17.8	8"17.8
Bag Length - inches	9"22.9	15"38.1	16.5"41.9	32"81.3
Knight Corp. Filter Housing Numbers	PK-4	GK-12	OK-15	KK-30

Custom Filter Bags To Your Specifications

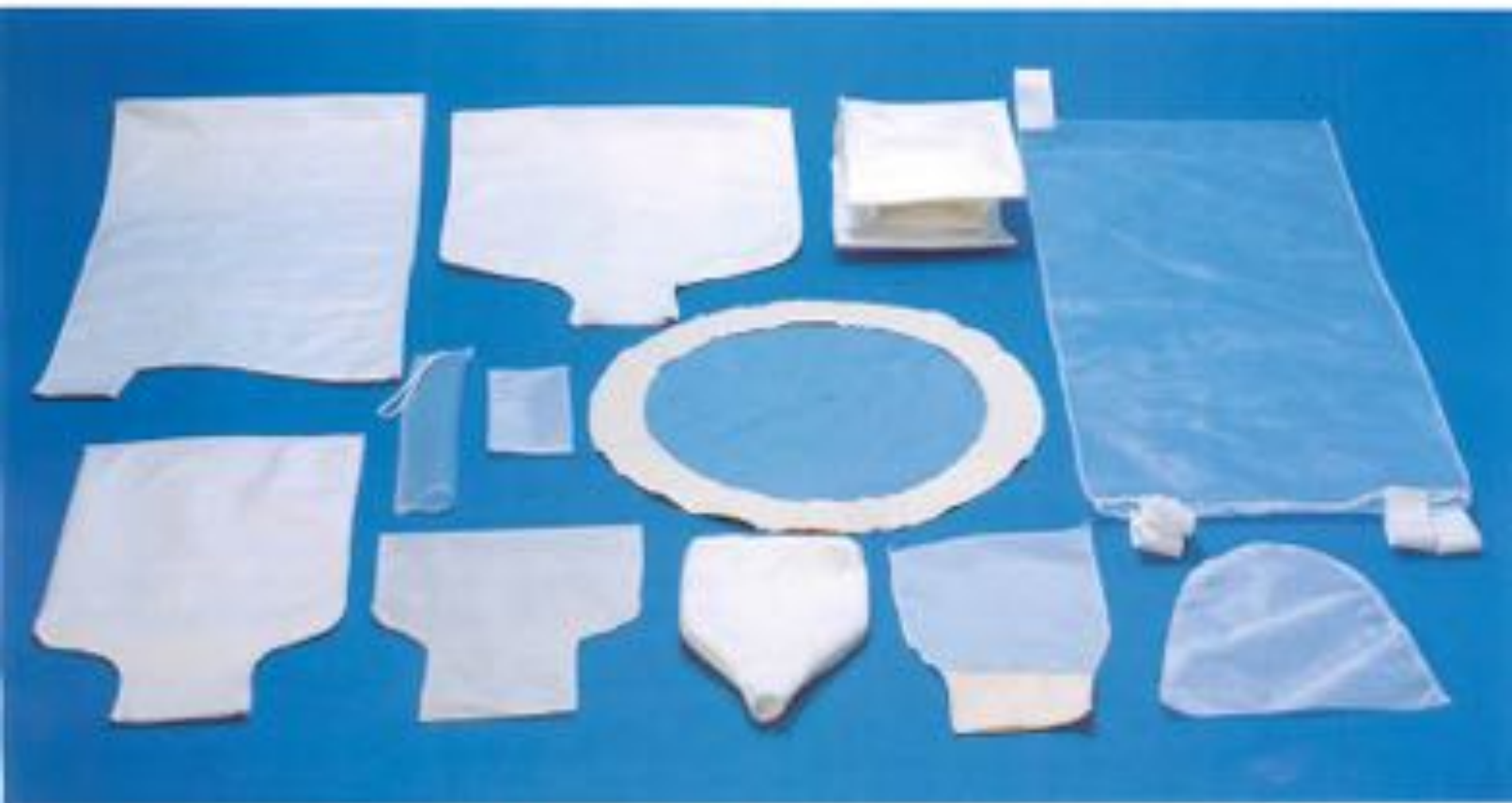
If you have a unique filtering problem, Knight can customize a filter bag to meet your exact specifications. Over the years we have provided customers worldwide with innovative solutions to their most difficult filtering problems. We can manufacture any filter bag, including bags with covers, extended length bags, special shaped bags and multiple layered bags. Our custom bags range in all sizes to accommodate your needs, from 3 inch diameter and 5 inches long to 25 inch diameter and over 25 feet long. Knight provides over a million custom bags per year.

Custom bags are available in Felt, Nomex, Nylon, Polyester, Anode, Cotton, Polypropylene and Teflon in a wide range of micron ratings. Special materials can be provided upon request.

Prompt Quotations

Send us the specifications for the bag you need or a sample of the bag you are currently using. We will get back to you quickly with our recommendations and a highly competitive quotation. Upon your approval of our price, we will provide you with a sample bag to enable you to evaluate the bag's effectiveness for your application.

Once you have approved the proposed bag, Knight Corporation will generate your order to the highest standard of quality and ship in less than a week.



Knight Filter Bags Are Ideal For Filtering:

- Adhesives
- Aerial Products
- Automotive Fluids
- Chemicals
- Cleaning Fluids
- Coil Coatings
- Cooling Towers
- Curing Fluids
- Dyestuffs
- Fabric Coatings
- Foods & Beverages
- Industrial Coatings
- Lacquers
- Liquid Detergents
- Metal Particles
- Paints
- Paper Coatings
- Petroleum Products
- Pharmaceuticals
- Pigments
- Plastics
- Plating Solutions
- Polymer Solutions
- Printing Inks
- Process Water
- Resins
- Vegetable Oils
- Water

High Efficiency Liquid Filter Bags

It is with great pride that we announce the development of two new and advanced filter line series to meet your high efficiency needs...the Knight High Efficiency (KHE) 300 and 500 series. Knight Corporation has a long history of providing industry with the highest quality liquid filter bags for high efficiency applications. Since 1988, we have continued to expand our expertise and improve our manufacturing techniques on high efficiency filters to keep pace with changing needs and demands of the filtration industry.

The new KHE 300 and 500 series have further improved the performance of the original Knight all microfiber design by adding special media which increases filter life and efficiency. With the aid of independent testing, Knight Corporation has designed a unique configuration of variable micron rated special media and microfiber that uses the entire filter, resulting in very fine particle retention and maximum dirt load.

The KHE series offers low initial pressure drop, high dirt holding capacity and exact particle retention. Since fewer filters are required, inventory and disposal costs are reduced. All filters come standard with lift handles for simple and fast removal. Dirt is contained inside the filter bag which promotes easy disposal, less risk of fluid contamination during change out and minimal operator exposure. Both KHE series have a cover to prevent any fiber migration and have no exposed seams. They are silicone free and made from 100% polypropylene media which is ideal for oil absorption and easy disposal by incineration.

The 300 series is available in ten different sizes and four style tops to fit most bag filter vessels. The 500 series has up to ten layers of media, including six layers of prefilter media that are individually sealed and inserted into the filter for structural strength and maximum use.

Independent Testing Results

The following charts reflect the results of tests performed by an independent test laboratory on a number 2 filter in a RK 30 vessel. Counts were taken on an automatic particle counter.



300 SERIES PART NUMBER	EFFICIENCY (A)		MAX (B) FLOW GPM
	99%	99%	
KHE 323P255L	1 µm	2 µm	75
KHE 325P255L	3 µm	5 µm	75
KHE 327P255L	8 µm	18 µm	75
KHE 329P255L	18 µm	25 µm	75

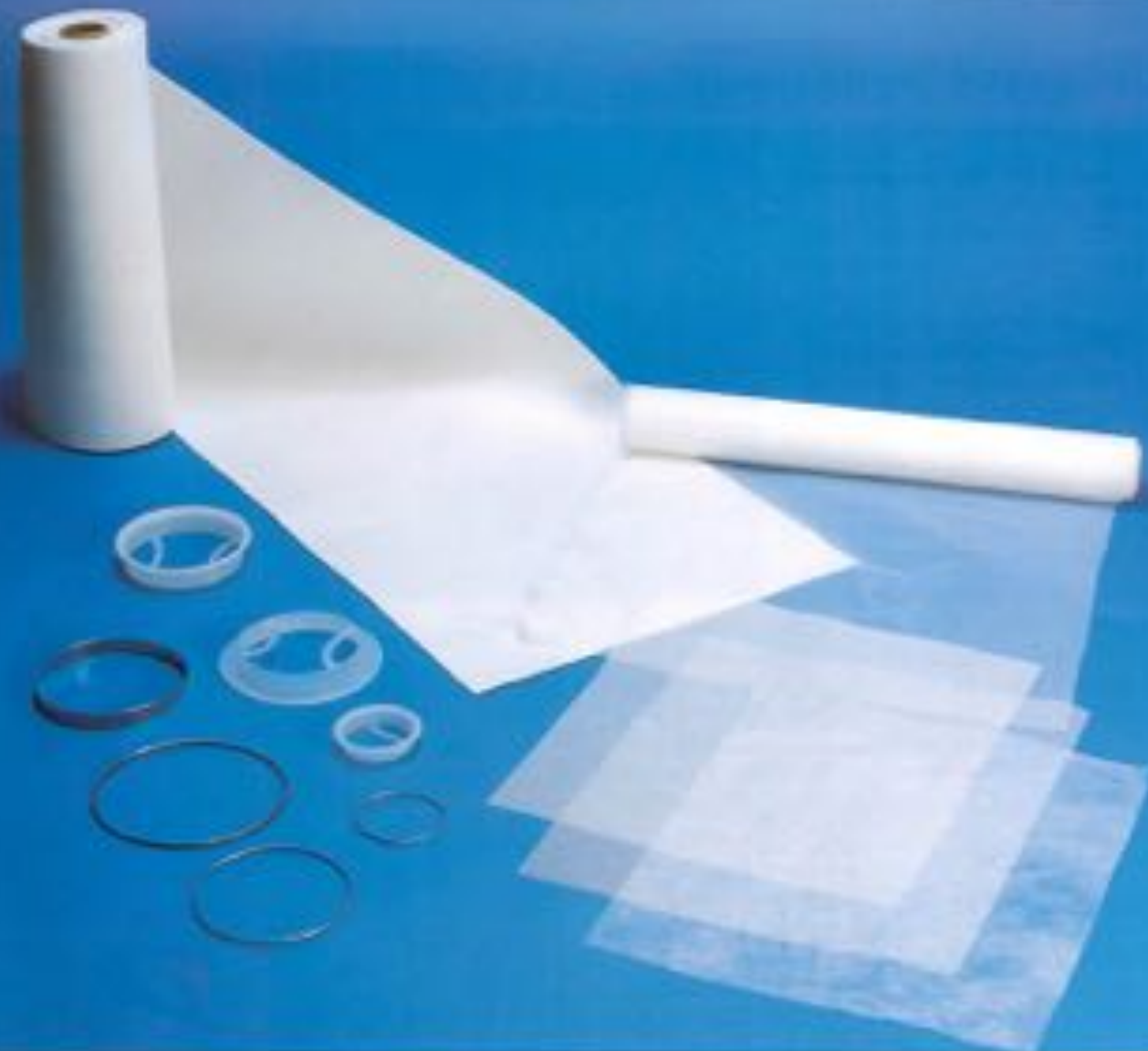
500 SERIES PART NUMBER	EFFICIENCY (A)		MAX (B) FLOW GPM
	96%	99%	
KHE 523P255L	1 µm	2 µm	50
KHE 525P255L	3 µm	5 µm	50
KHE 527P255L	8 µm	18 µm	50
KHE 529P255L	18 µm	25 µm	50

(A) Efficiency represents the initial efficiency on a clean element challenge test on a single pass through a water base slurry of ITI fine test dust at 3 GPM. Efficiencies are defined by counting the ratio of upstream versus downstream particles, µm = microns.

(B) Flow data based on gallons per minute (GPM) for 1 pound (PSID) of pressure across a clean filter.

	300 SERIES	500 SERIES
Max Dirt Grams of Dust (C)	1,200	2,042
Max Total Filter Layers	5	10
Max Sq. Ft. Surface Area	23	43
Quantity Per Large Box	20	10
Max Temperature	200° F	200° F
Pure Polypropylene Media	Yes	Yes
Felt & Microfiber Sections	Yes	Yes
Easy Lift Handles	Yes	Yes
Silicone Free	Yes	Yes
No Exposed Sewn Seams	Yes	Yes
Oil Absorption & Removal	Yes	Yes
Batch Operations	Yes	Yes
Continuous Operations	Yes	Yes

(C) Test load conducted until vessel pressure reached 40 psid (PSID).



We Stock A Wide Range Of Plastic Tops And Media

Knight Corporation offers several types of plastic tops. Our Sure-Seal™ is a plastic top designed with a plastic handle for easy removal of the filter bag from the vessel. Our Sure-Seal™ is ideal for use in the P1, P2, P3 and P4 sized vessels, as well as, all other similar sized filter vessels, even if the vessel had been designed for a ring bag or a plastic topped bag. The Sure-Seal™ is a standard item and can ship in a week or less, the same time frame as all of our filter bags.

Knight Corporation also offers plastic, carbon, and stainless steel adapter heads. These adapter heads provide a simple, low cost solution to numerous filtration problems. Available with different NPT fittings, the adapter head screws on to the end of a pipe and a filter bag secures to the head. This system is an excellent alternative for filtering low pressure, low gpm flow rate applications.

We stock a wide range of roll materials and goods in order to meet the ever changing demands of our industry.

TYPES	KINDS	
• Felt	• Nylon	• Teflon
• Monofilament	• Polyester	• Cotton
• Multifilament	• Polypropylene	• Cheese Cloth
	• Nomex	

Any of our stock material rolls can be cut to any given length and size in either roll or sheet form.

All our stock materials are available in a wide range of micron ratings. Please refer to the "How To Order" section to determine the proper rating for your specific application. If you need further assistance, contact Knight Corporation.



Precision Crafted Filter/Strainer Vessels

Knight filter/strainer vessels are built to the highest standard of performance and are available in all the standard models and sizes currently used in the filtration industry. They can be used with a basket strainer, for particle retention down to 74 microns, or with a filter bag for particle retention down to 1 micron. The covers on all models can be easily removed without tools enabling the basket or filter to be cleaned or replaced quickly and easily.

Knight Vessel Features

- Precision crafted, and sturdy construction of carbon steel, 304 stainless steel or 316 stainless steel.
- Hydrostatically tested to 1 1/2 times their working pressure.
- Permanently piped.
- Low pressure drop operation.
- Covers are 5/8" thick with an O-ring seal to minimize bypassing of unfiltered liquid.
- Adjustable height legs.
- Large area, heavy duty stainless steel baskets in a wide selection of styles and sizes.
- ASME code stamp is available for 150 to 300 psi.

Knight Vessel Options

- Larger multiple basket (from 2 to 25) vessels are available, which can handle flow rates from 400 to 3,500 gpm.
- Most models are available as a duplex system, where two units are piped together with valves to permit continuous use of either unit while servicing the other.
- Expandable vessels, which offer the flexibility of either low or high flow rate applications.
- Liquid displacers, which promote minimal product loss and easy cleaning, are available for most models.
- Special options include: filter hold-down devices, sanitary construction, outlet connection choices, higher pressure ratings, extra length legs and heat jacketing.

Please contact Knight Corporation or your local distributor for a computerized solution to your specific need and a recommendation on the vessel size and model.



Knight Corporation

P.O. Box 112
 Ardmore, PA 19003-0112
 Phone: 610-953-2161
 Fax: 610-953-1988

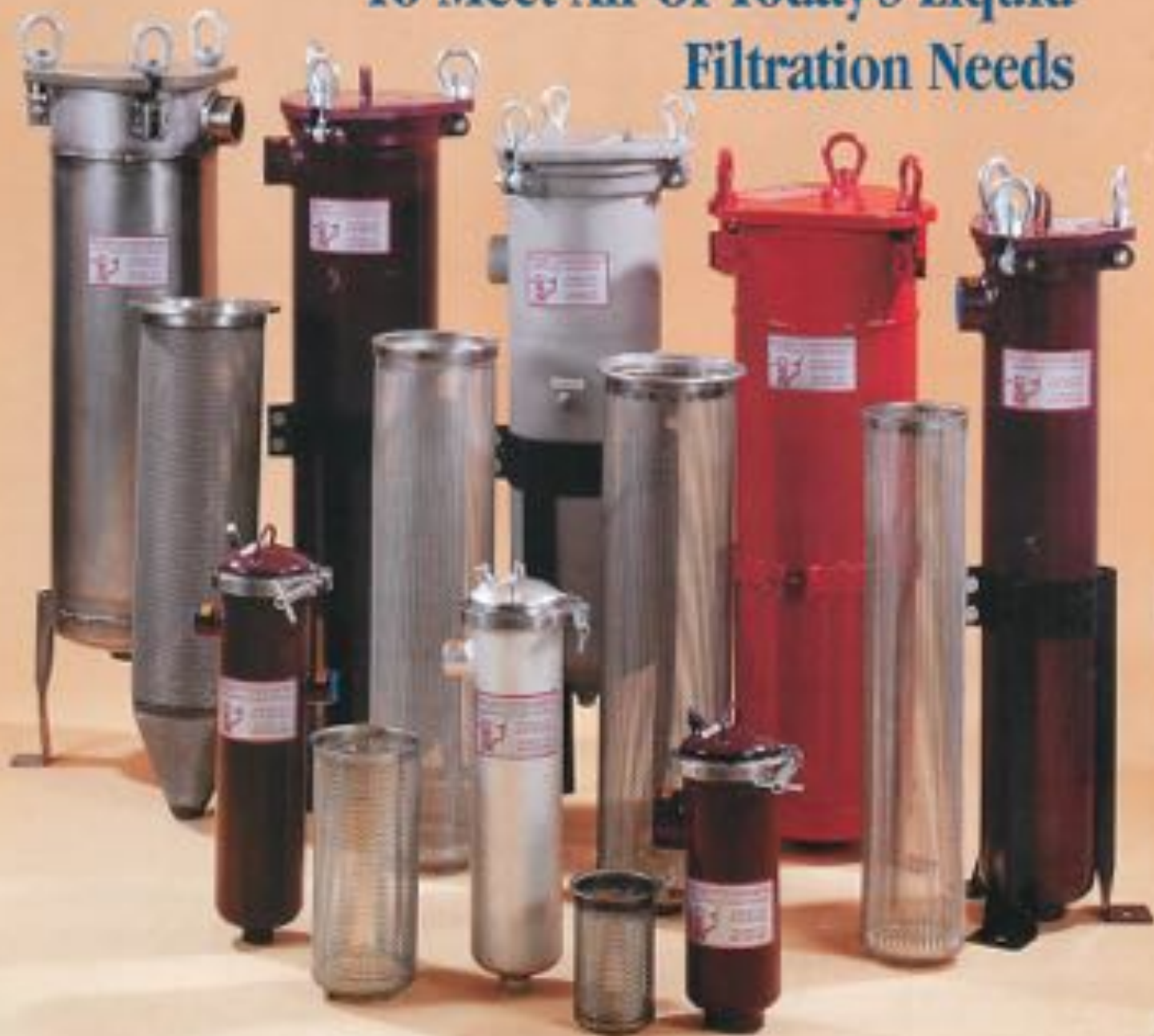
30005 Gildens Road
 Houston, TX 77099-2413
 Phone: 281-953-5363
 Fax: 281-953-9111

Visit our web site: knightcorp.com



**Knight
Corporation**

**Precision Crafted Filter/Strainer Vessels
To Meet All Of Today's Liquid
Filtration Needs**



Available In All The Standard Models And Sizes



For over 25 years, Knight Corporation has been providing the liquid filtration industry with the highest quality Liquid Filter Vessel in the marketplace. Customer satisfaction is, and always will be, our top priority. We answer all inquiries immediately and give our customers the support they need in record time.

Knight filter/strainer vessels are available in all the standard models and sizes used in the filtration industry today. They are designed to be used with a basket-strainer, for particle retention down to 74 microns, or with a filter bag, for particle retention down to 1/2 micron.

Basket Options

Knight offers baskets that will strain or filter a wide variety of fluids and retain solids of almost any size. All baskets and mesh linings are made of stainless steel.

304 stainless steel baskets and linings will be supplied with carbon and 304 stainless vessels. 316 stainless steel baskets and linings will be supplied with 316 stainless vessels.

Available for all size vessels, and are easily removed and cleaned.

- Plain perforated strainer baskets are available in the following perforation sizes: 1/8, 3/16, 1/4, 3/8 and 1/2 inch.
- Perforated strainer basket with wire mesh lining. High quality wire is used in mesh sizes: 20, 30, 40, 50, 60, 70, 80, 100, 150 and 200.
- Filter bag basket has 3/64" perforations, for a 54% open area. They accept standard size filter bags which are available from Knight Corporation.

Standard Features

- Large strainer/filter area, easy to clean heavy-duty baskets
- Low pressure drop operation
- Permanently piped
- Covers that can be easily removed without tools, making the basket or bag easy to clean or replace
- Covers are O-ring sealed to prevent bypassing of unfiltered liquid
- Seals are available in Buna S, Ethylene Propylene, Viton Fluorocarbon or Teflon Fluorocarbon Resin
- Choice of carbon steel, 304 or 316 stainless steel vessels
- Electro-polished or satin finished to resist adhesion of dirt and scale
- Stands have adjustable height legs
- Hydrostatically tested to 1 1/2 times their working pressure
- ASME code stamp is available for 150 to 300 psi

Special Options

- Vessels with higher pressure ratings
- Most models are available as parallel systems, where two or more units are piped together with valves to permit continuous use of either unit while servicing the other
- Liquid displacers, which promote minimal product loss and easy cleaning, are available for most models
- Other options include: filter hold-down devices, sanitary construction, different outlet connections, flanged connections, stands with extra-height legs, heat jacketing, and adapters for holding filter cartridges

The following model descriptions and flow tables can be used to aid in selection, and make comparisons between the various styles.

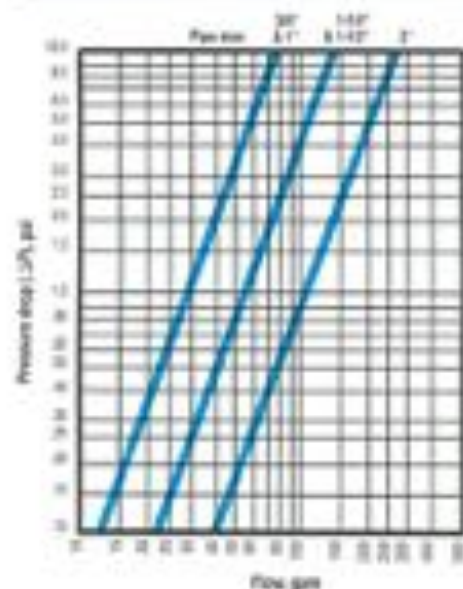
GK, PK:

For flow rates to 50 gpm

- Pipe sizes 3/4 thru 2 inch, NPT or flanged
- Two basket depths: 6 or 12 inches (nominal)
- Test pressure ratings: 200 psi (with clamp cover) and 300 or 500 psi (with eyelet cover)
- Adjustable hood legs must be ordered separately
- ASME code stamp available

BASKET DATA

Depth Nominal (Inches)	Diameter (Inches)	Surface Area (sq. ft.)	Volume (cu. in.)
6	3.9	0.5	45
12	3.9	1.0	100



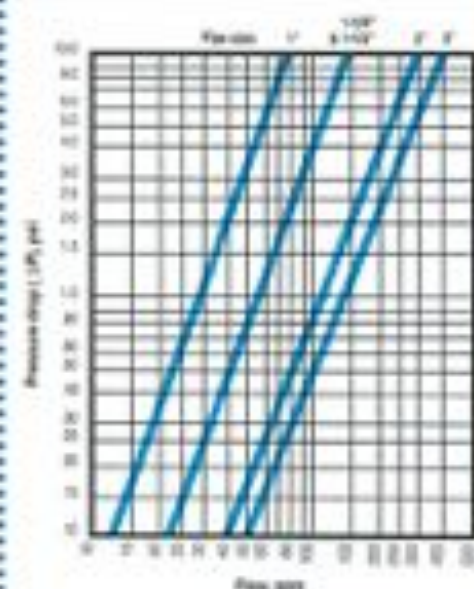
JK, AK and UK:

For flow rates to 100 gpm

- Delivers 2.4 square feet of basket or bag surface area without need for ASME code construction
- Pipe sizes 1 thru 3 inch, NPT or flanged
- Three basket depths: 12, 18 or 30 inches (nominal)
- ASME code stamp available

BASKET DATA

Depth Nominal (Inches)	Diameter (Inches)	Surface Area (sq. ft.)	Volume (cu. in.)
12	5	1.3	235
18	5	2.0	350
30	5	3.4	630



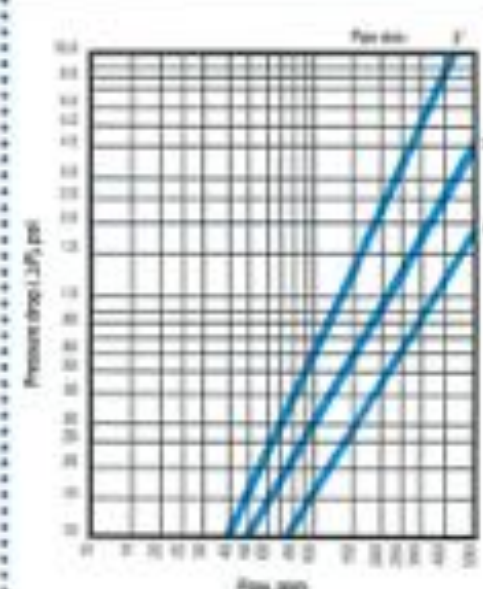
CK, RK:

For flow rates to 220 gpm

- Pipe sizes 2 thru 4 inch, NPT or flanged
- Two basket depths: 15 or 30 inches (nominal)
- Pressure ratings: 175, 150 and 300 psi
- ASME code stamp available

BASKET DATA

Depth Nominal (Inches)	Diameter (Inches)	Surface Area (sq. ft.)	Volume (cu. in.)
15	6.7	2.3	500
30	6.7	4.4	1000



FOLLOW THESE EASY STEPS:

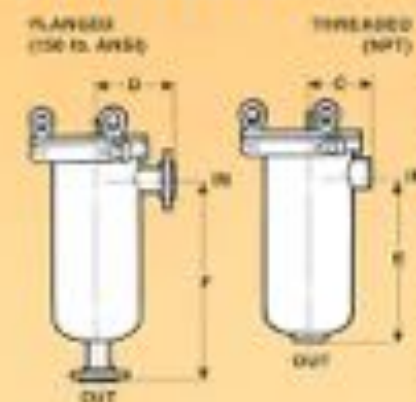
1. Using the desired pipe size and approximate flow rate, determine the basic pressure drop from the appropriate graphs above.
2. Multiply the pressure drop obtained in step 1 by the viscosity correction factor found in the accompanying table below. This is the adjusted (clean) pressure drop for all baskets, without filter legs.

Size	Bag	Filter Area
PK-6	P25	5 sq. ft.
PK-12	P45	1.0 sq. ft.
JK-12	P75	1.3 sq. ft.
JK-18	P85	2.0 sq. ft.
JK-30	P95	3.4 sq. ft.
CK-15	P15	2.3 sq. ft.
CK-30	P25	4.4 sq. ft.

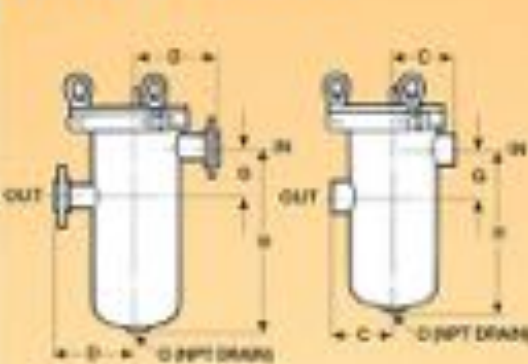
	Viscosity, cps								
	1 (H ₂ O)	50	100	200	400	600	800	1000	2000
All welded baskets	.65	.85	1.00	1.10	1.20	1.40	1.50	1.60	1.80
40 mesh lined	.75	.95	1.20	1.40	1.50	1.80	1.90	2.00	2.30
60 mesh lined	.77	1.00	1.30	1.60	1.70	2.10	2.20	2.30	2.80
80 Mesh lined	.93	1.20	1.50	1.90	2.10	2.40	2.60	2.80	3.50
100 mesh lined	1.08	1.30	1.60	2.20	2.40	2.70	3.00	3.30	4.40
200 mesh lined	1.30	1.70	2.10	3.00	3.40	3.90	4.40	5.00	6.80

Piping Arrangements/Outlet Choices & Cover Types

STYLE 1 >>>>>>



STYLE 2 >>>>>>



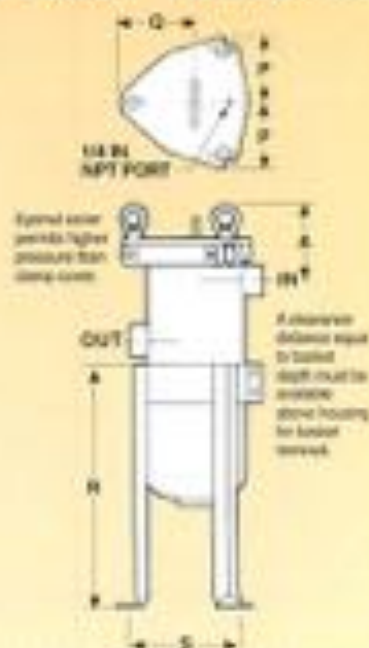
STYLE 3 >>>>>>



MODEL DIMENSIONS IN INCHES

Model	Pipe Size	A	B	C	D	E	F	G	H	J	K	L	M	O	P	Q	R	S	T	
PK 6 200 PSI	3/4	5.5	5.2	3.5	5.0	10.1	12.0	3.0	18.1	18.4	4.0	11.2	1.3	4.5	1/2	3.5	3.6	14.0	6.8	5.6
	1	5.5	5.2	3.5	5.0	10.1	12.0	3.0	18.1	18.9	4.0	11.5	1.5							
	1 1/4	6.0	5.8	3.5	5.0	9.8	12.0	4.0	9.5	12.5	4.0	11.0	1.8							
	1 1/2	6.0	5.8	3.5	5.0	9.3	12.0	4.3	9.5	10.8	4.0	11.3	2.0							
	2	6.0	5.8	3.5	5.0	9.3	12.0	4.0	9.5	11.6	4.0	11.8	2.3							
PK 12 200 PSI	3/4	5.5	5.2	3.5	5.0	16.1	18.0	3.0	16.1	16.4	4.0	17.2	1.3	4.5	1/2	3.5	3.6	14.0	6.8	5.6
	1	5.5	5.2	3.5	5.0	16.1	18.0	3.0	16.1	16.9	4.0	17.5	1.5							
	1 1/4	6.0	5.8	3.5	5.0	15.4	18.0	4.3	15.5	14.5	4.0	17.0	1.8							
	1 1/2	6.0	5.8	3.5	5.0	15.3	18.0	4.3	15.5	14.8	4.0	17.3	2.0							
	2	6.0	5.8	3.5	5.0	15.3	18.0	4.3	15.5	17.6	4.0	17.8	2.3							
PK 12 300 PSI	1	6.1	N/A	4.3	6.0	17.3	19.8	4.0	17.3	18.1	5.0	18.6	1.5	6.0	3/4	5.0	5.3	18.0	N/A	N/A
	1 1/4	6.1	N/A	4.3	6.0	17.3	19.8	4.8	17.3	18.4	5.0	19.0	1.8							
	1 1/2	6.1	N/A	4.3	6.0	17.3	19.8	4.8	17.3	18.8	5.0	19.3	2.0							
	2	6.1	N/A	4.3	6.0	17.2	19.7	4.8	17.3	19.6	5.0	19.7	2.3							
	3	7.0	N/A	4.3	6.0	18.2	20.7	6.6	18.2	20.0	4.8	21.9	3.1							
PK 18 200 PSI	1	6.1	N/A	4.3	6.0	23.3	25.8	4.3	23.3	24.1	5.0	24.6	1.5	6.0	3/4	5.0	5.3	18.0	N/A	N/A
	1 1/4	6.1	N/A	4.3	6.0	23.3	25.8	4.8	23.3	24.4	5.0	25.0	1.8							
	1 1/2	6.1	N/A	4.3	6.0	23.3	25.8	4.8	23.3	24.8	5.0	25.3	2.0							
	2	6.1	N/A	4.3	6.0	23.2	25.7	4.8	23.3	25.6	5.0	25.7	2.3							
	3	7.0	N/A	4.3	6.0	24.4	26.7	6.6	24.2	28.0	4.8	27.9	3.1							
PK 30 200 PSI	1	5.5	N/A	4.3	6.0	35.3	37.8	4.3	35.3	36.1	5.0	36.6	1.5	6.0	3/4	5.0	5.3	18.0	N/A	N/A
	1 1/4	6.0	N/A	4.3	6.0	35.3	37.8	4.8	35.3	36.4	5.0	37.0	1.8							
	1 1/2	6.1	N/A	4.3	6.0	35.3	37.8	4.8	35.3	36.8	5.0	37.3	2.0							
	2	6.1	N/A	4.3	6.0	35.2	37.7	4.8	35.3	37.6	5.0	37.7	2.3							
	3	7.0	N/A	4.3	6.0	36.2	38.7	6.6	36.2	40.0	4.8	39.9	3.1							
PK 15 200 PSI	2	6.6	N/A	5.9	7.5	20.9	23.5	4.8	21.0	22.2	3.3	22.1	2.3	8.6	1	5.8	6.3	22.0	12.8	
	3	7.4	N/A	6.8	7.5	21.7	24.4	6.6	21.9	25.5	4.8	25.9	3.1							
	4	7.4	N/A	6.8	8.6	21.5	25.3	8.4	21.9	26.8	4.3	27.4	3.8							
PK 30 200 PSI	2	6.6	N/A	5.9	7.5	31.9	34.5	4.8	32.0	34.2	3.3	34.1	2.3	8.6	1	5.8	6.3	22.0	12.8	
	3	7.4	N/A	6.8	7.5	32.7	35.4	6.6	32.9	36.5	4.8	36.9	3.1							9.5
	4	7.4	N/A	6.8	8.6	32.5	36.3	8.4	32.9	41.8	4.3	42.4	3.8							

EYENUT COVER >>>



CLAMP COVER >>>>



How To Order

Models: PK-6, GK-12, JK-12, AK-18, UK-30, CK-15 and RK-30

Build an ordering code as shown in the example.

Each option is available only on the model sizes indicated in the colored blocks preceding its description.

- KEY TO BLOCKS
- = Models PK, GK
 - = Models JK, AK, UK
 - = Models CK, RK

EXAMPLE:

CK15 3P 1 150 N C B — M200 — 2M 50

MODEL NO.

PK
GK
JK
AK
UK
CK
RK

PIPE SIZE, NPT & FLANGED¹

- ■ ■ 1/4-in. female NPT - 1/4P
- ■ ■ 1 in. female NPT - 1P
- ■ ■ 1-1/4-in. female NPT - 1-1/4P
- ■ ■ 1-1/2-in. female NPT - 1-1/2P
- ■ ■ 2-in. female NPT - 2P
- ■ ■ 3-in. female NPT - 3P
- ■ ■ 3/4-in. 150lb. ANSI flange - 3/4F
- ■ ■ 1-in. 150lb. ANSI flange - 1F
- ■ ■ 1-1/4-in. 150lb. ANSI flange - 1-1/4F
- ■ ■ 1-1/2-in. 150lb. ANSI flange - 1-1/2F
- ■ ■ 2-in. 150lb. ANSI flange - 2F
- ■ ■ 3-in. 150lb. ANSI flange - 3F
- ■ ■ 4-in. 150lb. ANSI flange - 4F
- ■ ■ 6-in. 150lb. ANSI flange - 6F

OUTLET STYLE

- ■ ■ Bottom - 1
- ■ ■ Side - 2
- ■ ■ Bottom flange - 3

PRESSURE RATING²

- ■ ■ 300 psi - 300
- ■ ■ 500 psi - 500
- ■ ■ 200 psi - 200
- ■ ■ 150 psi - 150

ASME CODE INFORMATION

- = Built to code with no stamp
- = Built to code with stamp

1. ANSI, ASME, RT flanges provided as standard. Other styles and classes available. ANSI B16.1 Pressure-Temperature-rating tables determine flange use for ASME code/flanges. Consult factory.

2. Higher pressure ratings available. Consult factory.

OPTIONAL INNER BASKET

FOR MODELS CK, RK
OPTIONAL INNER BASKET MEDIA SIZE
No symbol if type 2B basket was selected

- ■ ■ Perforation diameter (for type 2P baskets) 1/4, 3/16, 1/8, 3/32, 1/16
- ■ ■ Mesh size (for type 2B and 2BM baskets) 20, 30, 40, 50, 60, 70, 80, 100, 150, 200

OPTIONAL INNER BASKET TYPE

- ■ ■ 2B - Filter bag basket, 1/16 perforation
- ■ ■ 2P - Strainer basket, perforated metal
- ■ ■ 2BM - Filter bag basket, perforated, mesh lined
- ■ ■ 2M - Strainer basket, perforated, mesh lined

BASKET, MEDIA SIZE

No symbol if type B basket was selected

- ■ ■ Perforation diameter (for type P baskets) 1/4, 3/16, 1/8, 3/32, 1/16
- ■ ■ Mesh size (for type B and BM baskets) 20, 30, 40, 50, 60, 70, 80, 100, 150, 200

BASKET TYPE

- ■ ■ B - Filter bag basket, 1/16 perforation
- ■ ■ P - Strainer basket, perforated metal
- ■ ■ BM - Filter bag basket, perforated, mesh lined
- ■ ■ M - Strainer basket, perforated, mesh lined
- ■ ■ BWM - Filter bag basket, heavy wire mesh

COVER GASKET

- ■ ■ B - Buna N
- ■ ■ E - Orlon® Propylene
- ■ ■ V - Viton® Fluorocarbon
- ■ ■ TEV - Teflon® Encapsulated Viton®

HOUSING MATERIAL

- ■ ■ C - Carbon steel
- ■ ■ S - 304 Stainless steel
- ■ ■ S316 - 316 Stainless steel