

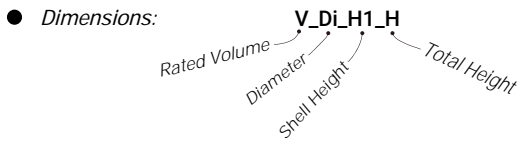
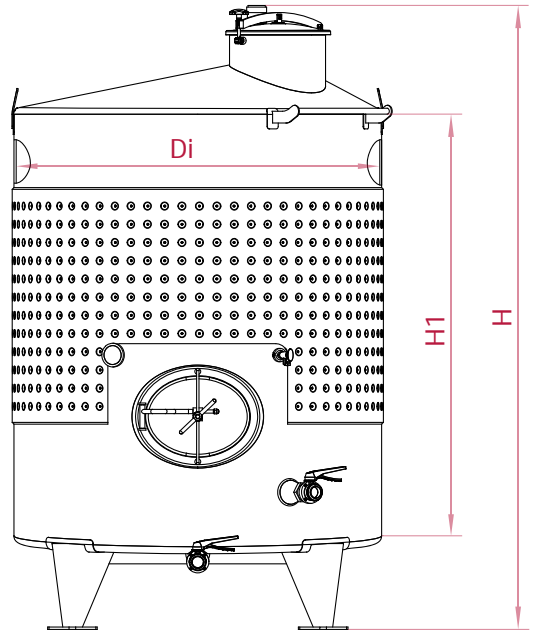
Classic Forever



Round Tank (Code: E)

Round Tank (Code E) Technical Specifications

- **Product Code:** E
- **Inner Surface:** 2B
- **Outer Surface:** Oil brushed
- **Inner Weld Seam Treatment:** Olavin Surpro Finish ($Ra \leq 24\mu\text{in}$)
- **Outer Weld Seam Treatment:** Retain weld bead height, pickled and passivated
- **Jacket:** Olavin Dypple Jacket
- **Jacket Working Pressure:** 43.5PSI (3bar)
- **Material:**
 - Economical** All SS304
 - Standard** Conical top, slope bottom & top entry: SS316
Others: SS304
 - Olavin Plus** All wet parts: SS316



Round Tank (Code E) Capacities and Dimensions

Volume Gallon	Di inch	H1 inch	H inch
500	50	59	89
1300	72	72	105
2500	89	96	136
4000	89	144	186
5200	89	194	238

* Customization is available.

Save 10%

With this COUPON

before Jan 31, 2021



Andrew
707 573 3154
andrew@revolutionequipmentsales.com

CONTACT ANDREW NOW



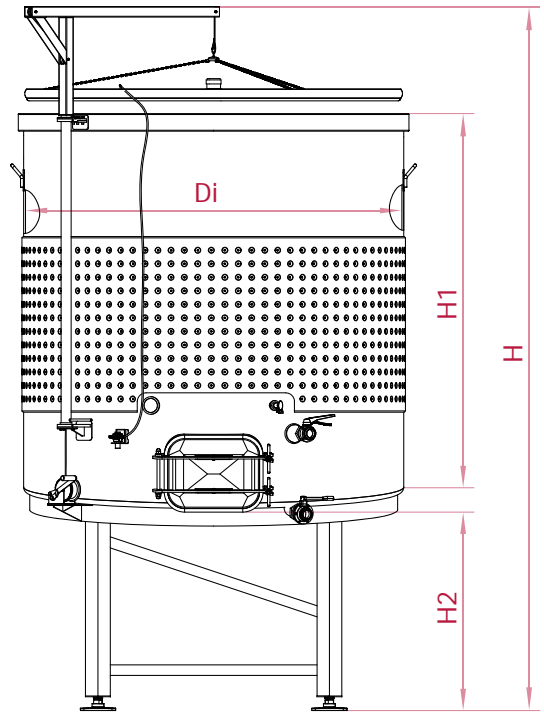
Say GOODBYE to Variable Catastrophe



Variable Capacity Tank (Code: B)

Variable Capacity Tank (Code B) Technical Specifications

- **Product Code:** B
- **Inner Surface:** 2B
- **Outer Surface:** Oil brushed
- **Inner Weld Seam Treatment:** Olavin Surpro Finish ($Ra \leq 24\mu\text{in}$)
- **Outer Weld Seam Treatment:** Retain weld bead height, pickled and passivated
- **Jacket:** Olavin Dypple Jacket
- **Jacket Working Pressure:** 43.5PSI (3bar)
- **Material:**
 - Economical** All SS304
 - Standard** Slope bottom: SS316
Others: SS304
 - Olavin Plus** All wet parts: SS316



- **Dimensions:** V_Di_H1_H2_H
 Rated Volume Diameter Shell Height Bottom Net Height Total Height

Variable Capacity Tank (Code B) Capacities and Dimensions

Volume Gallon	Di inch	H1 inch	H2 inch	H inch
600	59	59	41	104
900	67	68	41	113
1500	83	72	41	117
1800	85	87	41	133
2500	89	107	41	152

* Customization is available.

Save 10%

With this COUPON

before Jan 31, 2021



Andrew

707 573 3154

andrew@revolutionequipmentsales.com

CONTACT ANDREW NOW



#1 Choice for best color

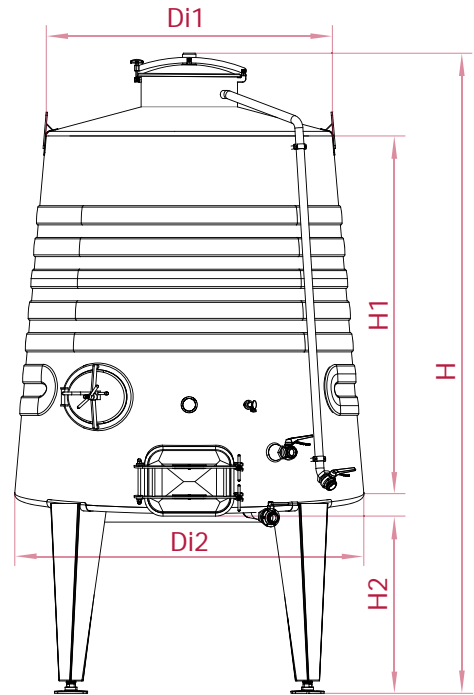
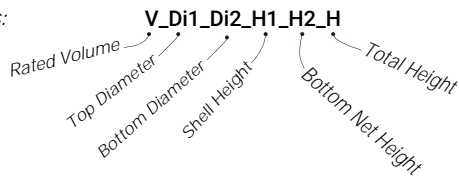


Tapered Fermenter (Code: F)

Tapered Fermenter (Code F) Technical Specifications

- **Product Code:** F
- **Inner Surface:** 2B
- **Outer Surface:** Oil brushed
- **Inner Weld Seam Treatment:** Olavin Surpro Finish ($Ra \leq 24\mu\text{in}$)
- **Outer Weld Seam Treatment:** Retain weld bead height, pickled and passivated
- **Jacket:** Olavin Dypple Jacket
- **Jacket Working Pressure:** 43.5PSI (3bar)
- **Material:**
 - Economical** All SS304
 - Standard** Conical top, slope bottom & top entry: SS316
Others: SS304
 - Olavin Plus** All wet parts: SS316

● **Dimensions:**



Tapered Fermenter (Code F) Capacities and Dimensions

Volume Gallon	Di1 inch	Di2 inch	H1 inch	H2 inch	H inch
1000	59	71	69	41	135
1500	68	83	86	41	153
1800	71	87	92	41	160
2500	74	90	116	41	184

* Customization is available.

Save 10%

With this **COUPON**

before Jan 31, 2021



Andrew

707 573 3154

andrew@revolutionequipmentsales.com

CONTACT ANDREW NOW

