

The Vintner Vault



3230 Riverside Ave Suite 140 Paso Robles, CA 93446
Ph: (805) 226-8100 Fax: (805) 226-8188
www.TheVintnerVault.com



Imma Model i-10 Crusher/Destemmer

TECHNICAL CHARACTERISTICS:

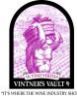
- Completely Stainless Steel
- Independently Rotating Cage and Beater Bars. Each with individual speed controls.
- Removable Crushing Rollers w/ Independent Drive Motors. Crushing Rollers Have the ability to be run before or after the Destemming Process. Adjustability from 2mm to 32mm.
- Decreasing Diameter Cage Holes (Can be custom made to your specification)
- Destemming/ No Destemming/ Partial Destemming Options
- Cage Washing Device for Quick and Effective Inside Washing

TECHNICAL DETAILS:

- Height 1450mm (57")
- Width 800mm (31.5")
- Length 2080mm (82")
- Weight: 850 pounds w/o pallet
- Cage Diameter 500x1000mm (20"x39")
- Crushing/Destemming Capacity 5to 12 Ton/Hour

Price.....\$22,500.00

Pre-Harvest Sale Price: \$ 21,500.00



The Vintner Vault



3230 Riverside Ave Suite 140 Paso Robles, CA 93446

Ph: (805) 226-8100 Fax: (805) 226-8188

www.TheVintnerVault.com

Additional Pictures:



(DPO 1/2 Shown as Example)

References:

- | | | |
|------------------------|----------------------|--------------|
| Tobin James Cellars | Jeff Poe..... | 805-674-8146 |
| Clos Pepe Vineyards: | Wes Hagen..... | 805-735-2196 |
| Ecluse Wines: | Steve Lock..... | 805-238-4998 |
| Red Soles Winery: | Randy Philips..... | 805-440-3363 |
| Dark Star Cellars: | Norm Benson..... | 805-237-2389 |
| Le Cuvier Winery: | John Munch..... | 805-238-5706 |
| Brander Vineyard: | Fred Brander..... | 805-688-2455 |
| Arche Wines: | Amy Sterling..... | 214-908-9055 |
| Bending Branch Winery: | John Rivenburgh..... | 210-771-2585 |



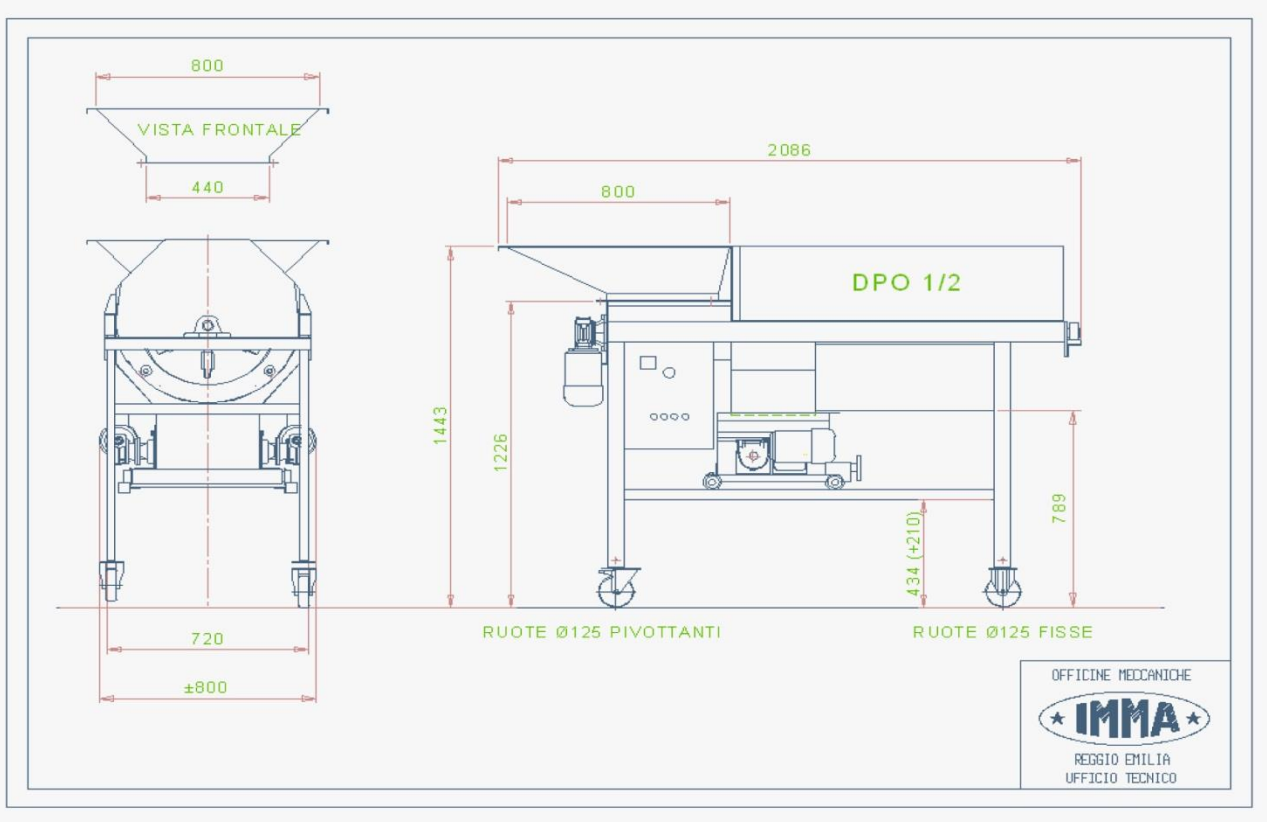
The Vintner Vault



3230 Riverside Ave Suite 140 Paso Robles, CA 93446

Ph: (805) 226-8100 Fax: (805) 226-8188

www.TheVintnerVault.com



Total Quote.....\$21,500.00

TERMS AND CONDITIONS:

- Prices are for goods Paso Robles, CA
- 50% Down at time of order, Remainder prior to Delivery
- Deposits are Non-Refundable
- Applicable taxes Extra
- Delivery Not Included in This Quote
- Delivery Time: To be agreed upon

This Quotation expires 30 days from August 24, 2018

We hereby offer to purchase the items, Described above under the general

Please use our purchase order No..... Date.....

Company..... Signature.....

This Quote was prepared by Andrew Berg