



CONCRETE WINE TANKS
SONOMA CAST STONE

Concrete NuBarrel®

FOR AGING OR FERMENTATION 240 GAL / 908 LTR

Each 240-gal Concrete NuBarrel® will ultimately yield the wine of 40 oak barrels, making NuBarrels® much less expensive to use.

They are much easier to clean than oak and rarely have to be moved. With much less evaporation, there is virtually no need for punch-down.

NuBarrels® safely stack and bolt together, requiring a third less storage space per gallon of wine.

Wine made in concrete has fruit-forward taste, enhanced mouthfeel and crisp minerality.

Guaranteed not to crack or leak.





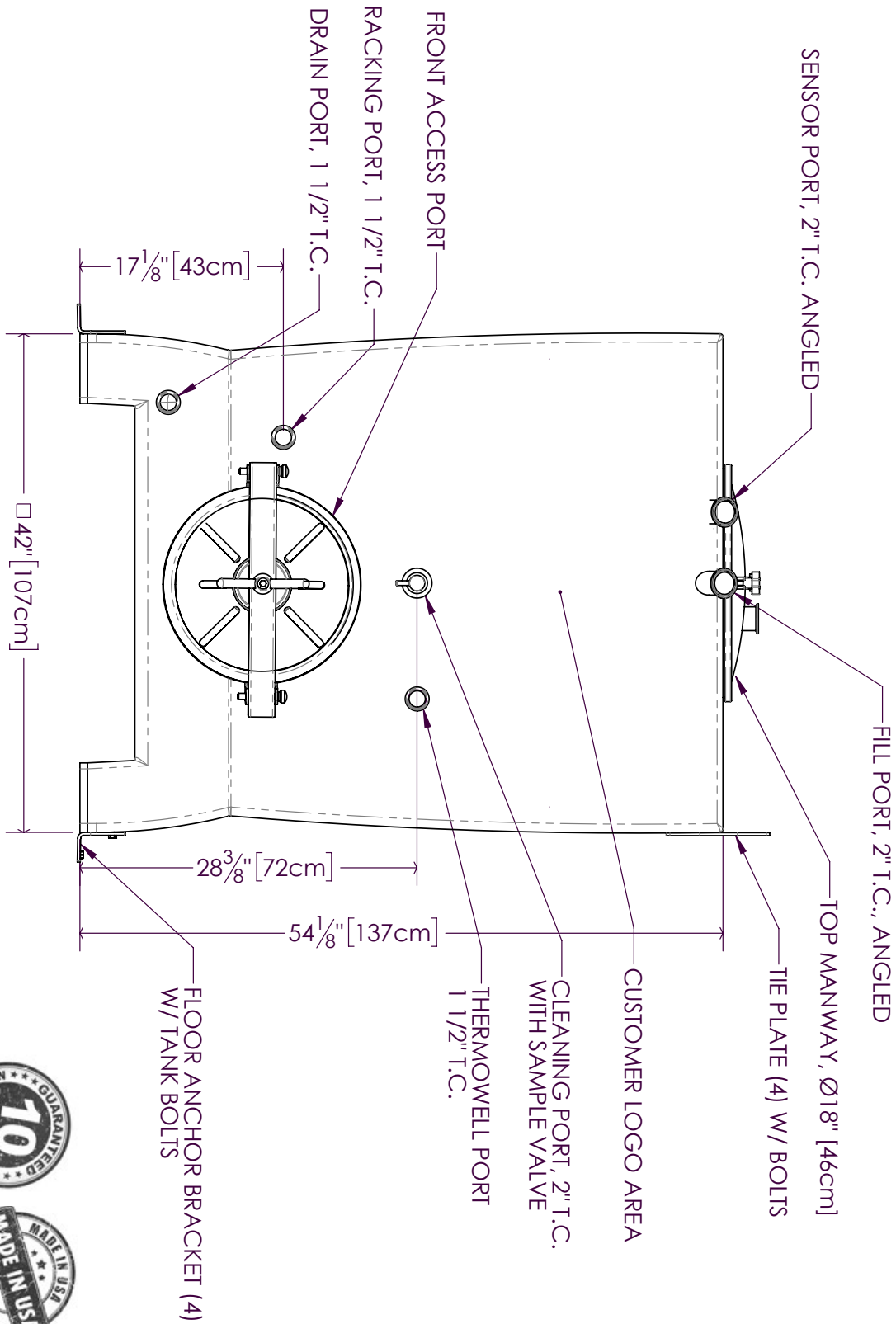
NUBARREL® Std UNIT

240 gal / 908 ltr

Dry Wt: 2,780 lbs / 1,262 kg

Filled Wt: 4,820 lbs / 2,188 kg

Some items shown here may be optional and not included. Refer to your order.



The Nubarrel® Standard Units can function individually or be safely stacked in pairs.





NUBARREL® Std UNIT

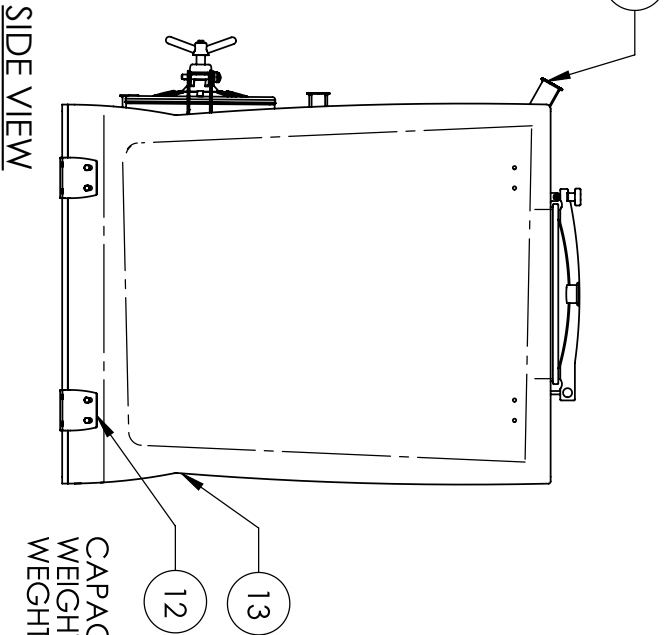
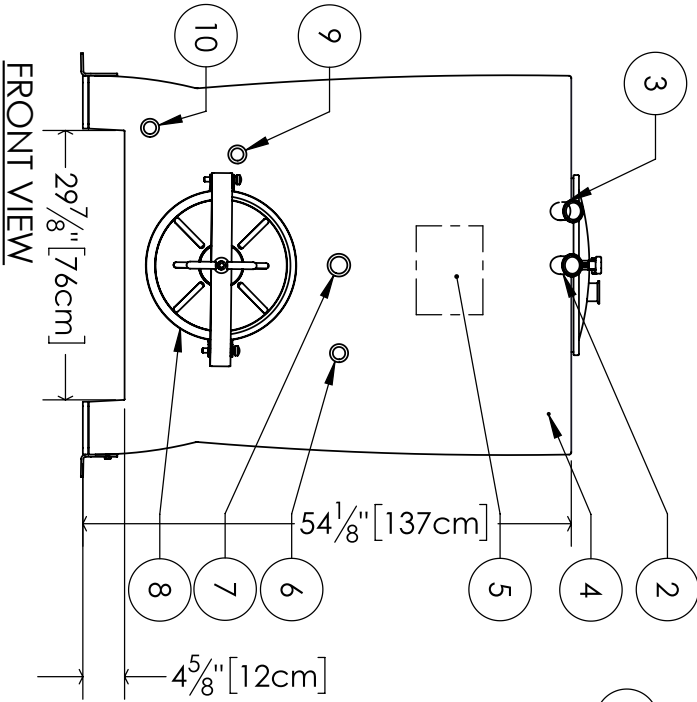
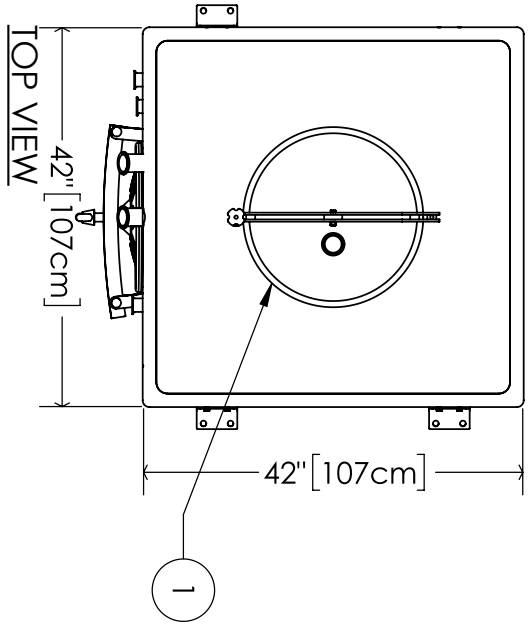
CONCRETE WINE TANKS
SONOMA CAST STONE
CONCRETEWINETANKS.COM

240 gal / 908 ltr

Dry Wt: 2,780 lbs / 1,262 kg

Filled Wt: 4,820 lbs / 2,188 kg

Some items shown here may be optional and not included. Refer to your order.



ITEM NO.	DESCRIPTION
1	Ø18" / 460mm TOP MANWAY w/ 2" T.C. VENT
2	FILL PORT, 2" T.C., ANGLED
3	SENSOR PORT, 2", ANGLED
4	THREADED INSERT FOR TAG CLIP
5	CUSTOMER LOGO
6	THERMOWELL PORT, 1 1/2" T.C.
7	SAMPLE/ WASHING PORT: 2" T.C. w/ VALVE
8	Ø16" / 400mm FRONT POMACE DOOR
9	RACKING PORT, 1 1/2" T.C.
10	DRAIN PORT, 1 1/2" T.C.
11	TANK TO TANK HOLD DOWN PLATES
12	SEISMIC HOLD DOWN LEGS
13	OXYGEN EMITTER PORT, 1 1/2" T.C.

CAPACITY 240 GALLONS / 908 LITER
WEIGHT EMPTY: 2,780LB. [1,261kg]
WEIGHT FILLED: 4,820LB [2,186kg]

The Nubarrel® Standard Units can function individually or be safely stacked in pairs.



CONCRETE WINE TANKS
 SONOMA CAST STONE
 CONCRETWINETANKS.COM

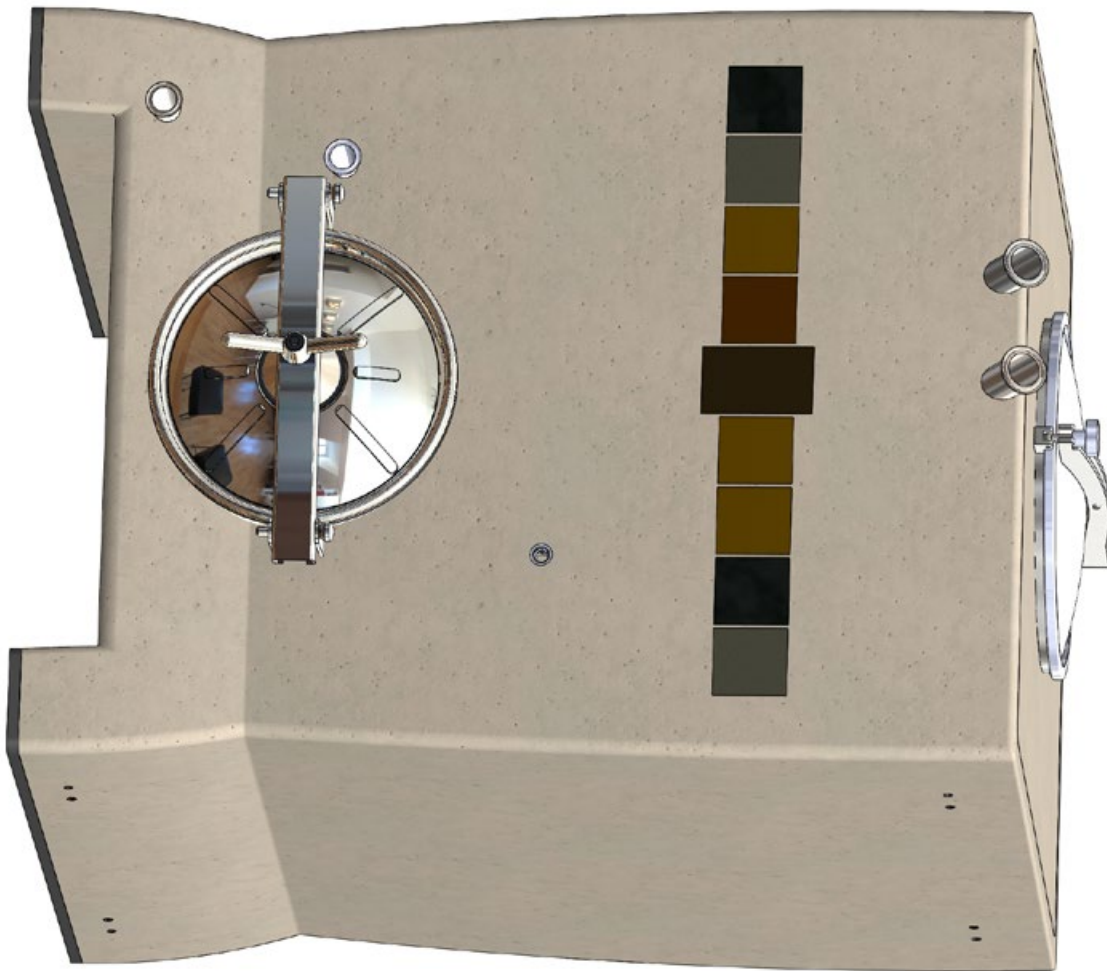
NUBARREL® Std UNIT

240 gal / 908 ltr

Dry Wt: 2,780 lbs / 1,262 kg

Filled Wt: 4,820 lbs / 2,188 kg

Some items shown here may be optional and not included. Refer to your order.



The Nubarrel® Standard Units can function individually or be safely stacked in pairs.





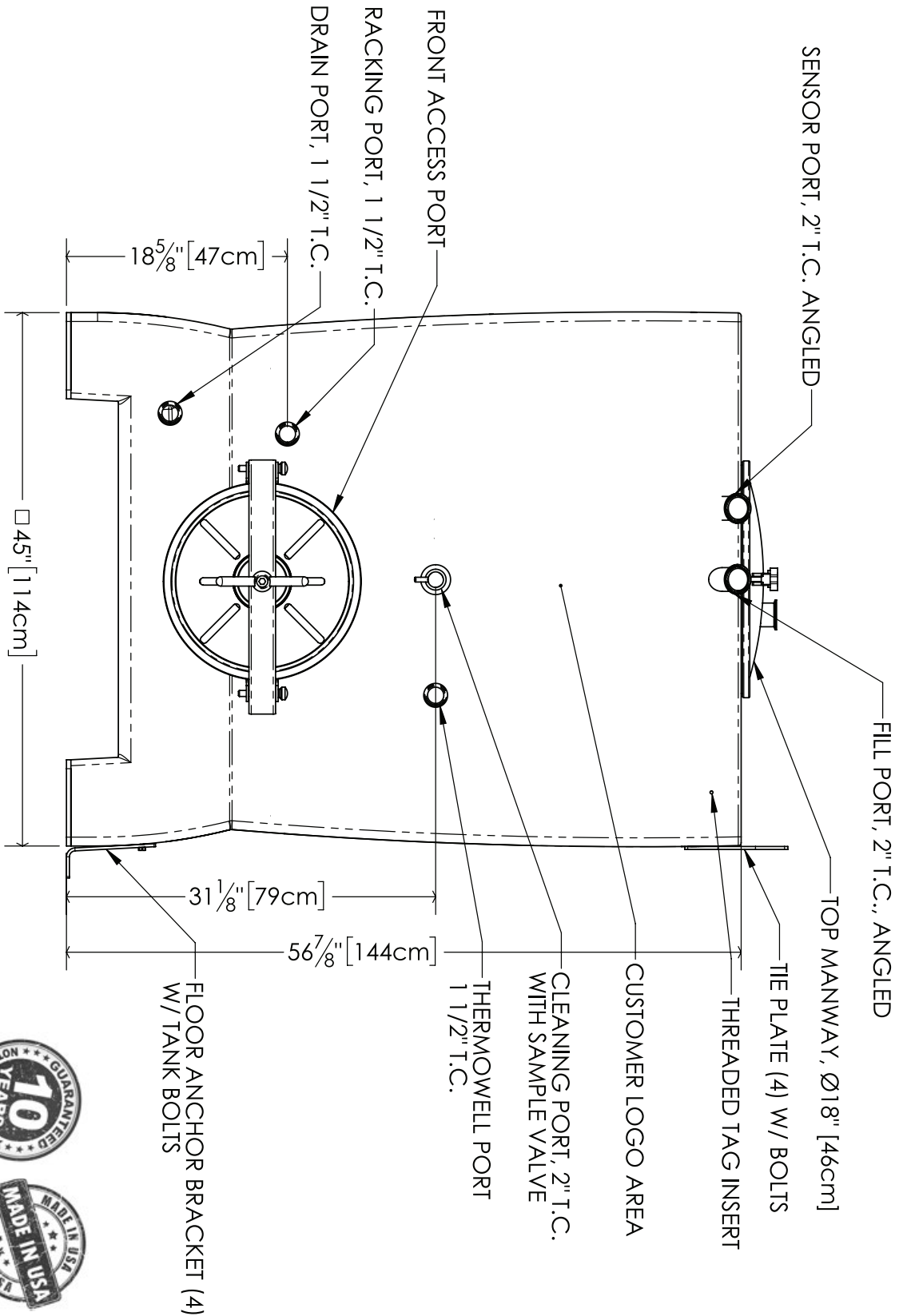
NUBARREL® BASE UNIT

240 gal / 908 ltr

Dry Wt: 4,214 lbs / 1,915 kg

Filled Wt: 5,954 lbs / 2,706 kg

Some items shown here may be optional and not included. Refer to your order.



The Nubarrel® Base Units can function individually or can safely support up to two standard units stacked on top.





CONCRETE WINE TANKS
 SONOMA CAST STONE
 CONCRETWINETANKS.COM

NUBARREL® BASE UNIT

240 gal / 908 ltr

Dry Wt: 4,214 lbs / 1,915 kg

Filled Wt: 5,954 lbs / 2,706 kg

Some items shown here may be optional and not included. Refer to your order.

The NuBarrel® Base Units can function individually or can safely support up to two standard units stacked on top.

