

# PRO CHILLER SYSTEM - M45 SERIES



CHILLED FLUID TEMPERATURES TO -45 F / -43 C

MODEL	HP	TEMP RANGE		TANK SIZE		PUMP FLOW <sup>1</sup>				COOLING POWER BTU/HR @ °F LEAVING FLUID AND 90°F AIR TEMP						COOLING POWER KW @ °C LEAVING FLUID AND 32°C AIR TEMP					
		(°F)	(°C)	(Gal)	(L)	(GPM)	TDH (Ft of Hd)	(l/min)	(bar)	-45	-40	-30	-20	-15	-8	-43	-40	-34	-29	-26	-22
M45BT112B70R430-A-V*	12.2	-45...-8	-43...-22	30	114	25	59	95	1.8	32800	37100	46800	57900	64000	73100	9.6	10.9	13.7	17.0	18.8	21.4
M45BT116B70R430-A-V*	16.2	-45...-8	-43...-22	30	114	20	59	76	1.8	46300	52200	65400	80400	88600	100900	13.6	15.3	19.2	23.6	26.0	29.6
M45BT120B86R430-A-V*	20.2	-45...-8	-43...-22	30	114	18	59	68	1.8	53400	60200	75400	92700	102100	116200	15.6	17.6	22.1	27.2	29.9	34.1
M45BT125B86R430-V-V*	25.2	-45...-8	-43...-22	30	114	50	59	189	1.8	61000	68800	86100	105700	116400	132300	17.9	20.2	25.2	31.0	34.1	38.8
M45BT130B116R430-V-V*	30.2	-45...-8	-43...-22	30	114	45	59	170	1.8	72400	81600	101900	125000	137700	156700	21.2	23.9	29.9	36.6	40.4	45.9

\* VOLTAGE INDICATOR WHEN ORDERING (C = 208-230/3/60 D = 460/3/60)  
<sup>1</sup> DEDICATED PROCESS PUMP AVAILABLE UPON REQUEST



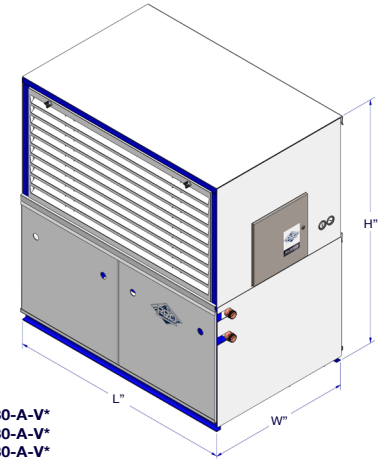
- DESIGNED FOR INDOOR & OUTDOOR INSTALLATION
- R404A REFRIGERANT
- 24/7 ON-CALL SUPPORT, START UP, & SERVICE
- 2 YEAR PARTS & LABOR WARRANTY

# PRO CHILLER SYSTEM - M45 SERIES



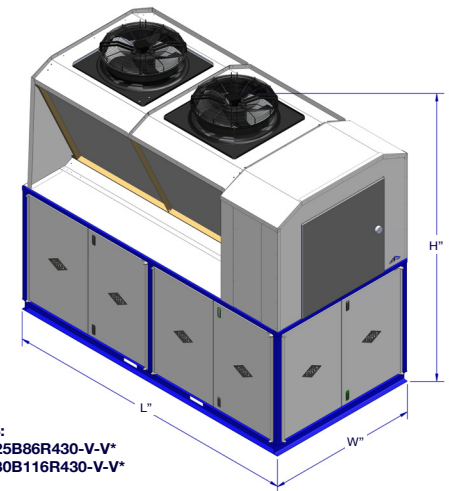
CHILLED FLUID TEMPERATURES TO -45 F / -43 C

MODEL	HP	NOISE LEVEL (dB)	ELECTRICAL DATA		DIMENSIONS L x W x H (Inches)	SHIPPING WEIGHT		OPERATING WEIGHT		FLUID CONNECTONS	CONDENSER AIR FLOW
			208-230/3	460/3		(Lbs)	(Kg)	(Lbs)	(Kg)	MNPT (Inches)	(CFM)
			MCA/MOP (Amps)	MCA/MOP (Amps)							
M45BT112B70R430-A-V*	12.2	83	82/136	38/62	87 x 57 x 100	2200	1363.6	2600	1545.5	2	8400
M45BT116B70R430-A-V*	16.2	84	102/170	47/78	87 x 57 x 100	2300	1409.1	2700	1590.9	2	8400
M45BT120B86R430-A-V*	20.2	84	118/200	54/91	87 x 57 x 100	2400	1454.5	2800	1636.4	2	8400



MODELS:  
M45BT112B70R430-A-V\*  
M45BT116B70R430-A-V\*  
M45BT120B86R430-A-V\*

M45BT125B86R430-V-V*	25.2	86	152/247	70/108	112 x 57 x 100	3700	1681.8	4100	1863.6	2	20000
M45BT130B116R430-V-V*	30.2	85	175/288	80/126	112 x 57 x 100	3800	1727.3	4200	1909.1	2	20000



MODELS:  
M45BT125B86R430-V-V\*  
M45BT130B116R430-V-V\*

\* VOLTAGE INDICATOR WHEN ORDERING (C = 208-230/3/60 D = 460/3/60)